



HE1058C ELECTRIC HYDRAPAK 208-230V INSTRUCTIONS (2014)

**REIMANN & GEORGER CORPORATION
CONSTRUCTION PRODUCTS
P/N 6122038**

**BUFFALO, NY
03/28/16**

TABLE OF CONTENTS

CHAPTER	TITLE	PAGE
1	SAFETY	1
1.1	Introduction	1
1.2	Safety Definitions	1
1.3	HydraPak Safety Labels.....	1
1.4	HydraPak Safety Rules	1
2	SPECIFICATIONS	3
2.1	Technical Data	3
2.2	Recommended Hydraulic Oil.....	3
2.3	Nameplate and Serial Number Tag	3
3	OPERATION	4
3.1	Before Operating the HydraPak.....	4
3.1.1	Wiring the Electric Motor.....	4
3.1.2	Checking the Hydraulic System.....	5
3.2	Starting and Operating the HydraPak	6
3.3	Stopping the HydraPak	6
4	INSPECTION AND MAINTENANCE	7
4.1	General Maintenance Rules	7
4.2	Hydraulic System Inspection and Maintenance	7
4.3	Electrical Inspection and Maintenance	8
4.4	Motor Inspection and Maintenance	8
4.5	Maintenance Schedule	8
5	TROUBLESHOOTING	9
6	PARTS LIST	12

LIST OF FIGURES

FIGURE	DESCRIPTION	PAGE
2-1	Typical HydraPak Product Nameplate.....	3
3-1	Motor Starter Wiring	5
6-1	HE1058 Assembly Drawing	13

PRE-OPERATIVE CHECKLIST

This checklist must be checked prior to each use of the HydraPak. This checklist is to be used as a guideline in conjunction with the maintenance and inspection procedures outlined in this manual. The HydraPak and related equipment must be thoroughly inspected prior to each use by a trained person. A trained person is one who has read and thoroughly understands this instruction manual and related equipment manuals and, through training and experience, has shown knowledge regarding the safe operational procedures. If you do not have such a person in your organization, please contact Reimann & Georger Corporation or its distributors and they will assist you in providing such a “trained person.” Do not permit any person who is not fully trained to operate this HydraPak or the associated hydraulic tool. It is recommended that this checklist be maintained as a permanent record.

- Ensure construction area is secured from all unauthorized personnel.
- All crew members at the construction site must be wearing personal protective equipment as defined by their employer.
- Ensure HydraPak has been properly maintained.
- Ensure hydraulic heat exchanger is clean and free of obstructions.
- Ensure HydraPak is positioned to minimize the amount of construction dust and debris it receives.
- Ensure fluid level in hydraulic reservoir is one inch from top.
- Ensure the shipping cap has been replaced with the provided chrome filler/breather cap.
- Ensure hydraulic hoses are properly connected and in good condition.
- Ensure the flow control knob is in the OFF position before starting the HydraPak.
- Ensure the power supply is compatible with the motor nameplate ratings.
- Ensure the motor rotation direction is correct to arrow on pump bracket.

1 SAFETY

1.1 INTRODUCTION

Your Reimann & Georger Corporation HE1058 HydraPak has been engineered to provide performance, long term economics and safety advantages that no other type can match. However, even a well-designed and well-built hydraulic power unit can malfunction or become hazardous in the hands of an inexperienced and/or untrained user. Therefore, read this manual and related equipment manuals thoroughly before operating your HydraPak to provide maximum safety for all operating personnel, and to get the maximum benefit from your equipment.

1.2 SAFETY DEFINITIONS

A safety message alerts you to potential hazards that could injure you or others or cause property damage. The safety messages or signal words for product safety signs are **DANGER**, **WARNING**, and **CAUTION**. Each safety message is preceded by a safety alert symbol and is defined as follows:

DANGER: Indicates an imminently hazardous situation which, if not avoided, **will** cause death or serious injury. This safety message is limited to the most extreme situations.

WARNING: Indicates a potentially hazardous situation which, if not avoided, **could** result in death or serious injury.

CAUTION: Indicates a potentially hazardous situation which, if not avoided, **may** result in minor or moderate injury. It may also be used to alert against unsafe practices and property-damage-only accidents.

1.3 HYDRAPAK SAFETY LABELS

These labels warn you of potential hazards that could cause injury. Read them carefully. If a label comes off or becomes illegible, contact Reimann & Georger Corporation for a free replacement.

1.4 HYDRAPAK SAFETY RULES

1. Operators must be thoroughly trained before operating the HydraPak and associated equipment. A trained person is one who has read and thoroughly understands this instruction manual and related equipment manuals and, through training and experience, has shown knowledge regarding the safe operational procedures.
2. Follow the Pre-Operative Checklist before using the equipment.
3. Work area is to be kept clear of unauthorized personnel at all times. Place barricades or secure the area in such a manner that no personnel can be injured.
4. Never use the HydraPak in an explosive atmosphere.
5. Use all personal protective equipment as defined by the employer.
6. Do not use the HydraPak or associated equipment if either shows any signs of damage.
7. Always connect the return (tank) hose connections before the supply (pressure) connections.
8. The supply line and, if not supplied, the starting equipment for the electric motor must be installed and inspected by a certified electrician in accordance with local electrical codes.
9. Never exceed the flow or pressure for which the hydraulic equipment is rated.
10. Know how to stop the HydraPak quickly in case of emergency.
11. Do not expose HydraPak to water.
12. Never disconnect hydraulic hoses or fittings while the HydraPak is running.

13. Do not adjust the HydraPak while it is running.
14. Never adjust or service the associated hydraulic equipment during operation or while connected to the HydraPak.
15. Keep all clothing and all body parts clear of moving parts.
16. Always turn the hydraulic flow off before connecting or disconnecting the hydraulic hoses.
17. At the end of operation, secure the HydraPak and the associated hydraulic equipment to prevent unauthorized use. Never assume you will find the equipment in the same condition in which you left it.
18. Only trained personnel are authorized to do repairs.
19. Do not use the HydraPak or associated hydraulic equipment when you are tired or fatigued.
20. Do not operate the HydraPak or associated hydraulic equipment when under the influence of drugs, alcohol, or medication.

2 SPECIFICATIONS

2.1 TECHNICAL DATA

Electric Motor	10 hp Baldor
Volts	208-230
Full Load Amps	30
Speed (rpm)	3450
Hertz	60
Phase	3
Weight:	285 lbs. without motor starter 290 lbs. with motor starter
Hydraulic System:	Open Center
Operating Pressure (maximum)	2250 psi
Back Pressure	<100 PSI @ 8 GPM
Reservoir	6 U.S. gallons—shipping cap and vented fill cap provided
Pump Type	Positive Displacement Gear
Flow Settings	5 or 8 GPM
Couplings	1/2" HTMA Flush Face
Cooling Capacity	16,000 BTU/hr.
Filter	10 micron
Suction Screen	10 mesh
Filler/Breather	100 mesh
Tires:	
Size	4.80 x 8
Inflation	30 psi
Axle	5/8" diameter

2.2 RECOMMENDED HYDRAULIC OIL

Many types of compatible hydraulic oil are available through your local dealer/distributor. As an original equipment manufacturer, RGC uses a Grade ISO VG 32 hydraulic oil.

Extreme weather conditions or operating environments may require using a different viscosity oil or fluid type than what is provided. If you have any question concerning the type of oil suitable for HE1058 operation, please consult your local supplier or Reimann & Georger Corporation for details.

2.3 NAMEPLATE AND SERIAL NUMBER TAG

It is important to identify your HydraPak completely and accurately whenever ordering spare parts or requesting assistance in service. The HydraPak has a product nameplate that shows the model and serial numbers as shown in Figure 2-1. Record the model and serial numbers for future reference.



Figure 2-1.
Typical HydraPak Product Nameplate

MODEL _____ **HE1058**

SERIAL NUMBER _____

3 OPERATION

3.1 BEFORE OPERATING THE HYDRAPAK



WARNING:

ONLY TRAINED PERSONNEL SHALL OPERATE THIS EQUIPMENT. A TRAINED PERSON IS ONE WHO HAS READ AND THOROUGHLY UNDERSTANDS THIS INSTRUCTION MANUAL AND RELATED EQUIPMENT MANUALS AND, THROUGH TRAINING AND EXPERIENCE, HAS SHOWN KNOWLEDGE REGARDING THE SAFE OPERATIONAL PROCEDURES.



WARNING:

FOLLOW THE PRE-OPERATIVE CHECKLIST IN THE FRONT OF THIS MANUAL BEFORE OPERATING.



WARNING:

DO NOT USE IN WET CONDITIONS.



CAUTION:

USE THE HYDRAPAK WITH OPEN-CENTER TOOLS ONLY.

1. Thoroughly read the motor and associated hydraulic equipment instruction manuals for complete safety, operating and maintenance information before operating.
2. Obey all the safety labels provided on your hydraulic tool and HydraPak. These labels warn you of potential hazards that can cause death or serious injury. If a label comes off or becomes hard to read, contact Reimann & Georger Corporation for replacement information.
3. Construction area is to be kept clear of unauthorized personnel. Place barricades or secure the area in such a manner that no personnel can be injured.
4. Position the HydraPak to minimize the amount of construction debris and dust it receives.

3.1.1 Wiring the Electric Motor



CAUTION:

IF 440V SERVICE IS REQUIRED, DO NOT REWIRE THE MOTOR WITHOUT FIRST CONSULTING THE FACTORY.

1. The 10 HP motor is wired for 208-230V, 60 Hertz, 3 phase.
2. If not supplied, a motor starter must be installed between the electric source and motor by a qualified electrician. Units supplied with a motor starter are wired as shown in Figure 3-1. An electrical plug end must be installed on the cord by a qualified electrician. Ensure the power supply is compatible with the motor nameplate ratings.
3. Check motor rotation to decal on pump bracket by jogging the motor. If motor runs backwards, switch wires L1 and L3. Operating the motor in the wrong direction will damage the hydraulic pump and cause equipment failure.

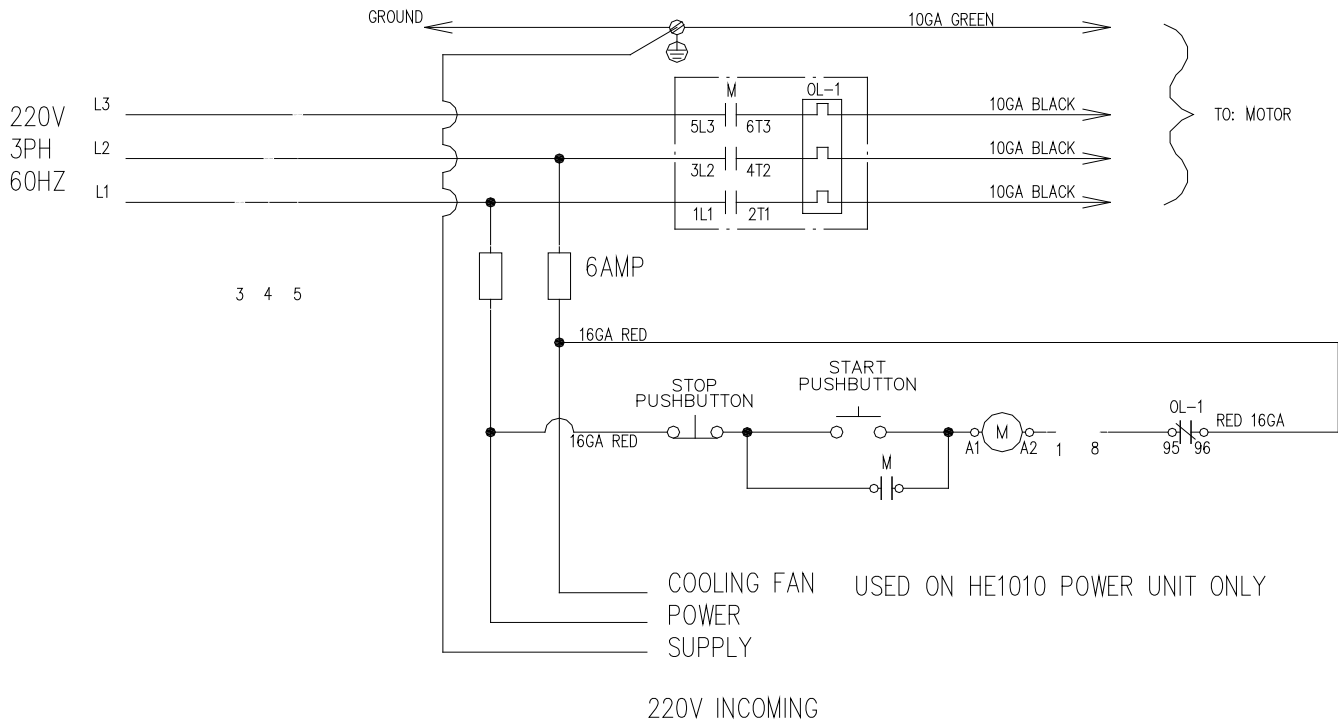


Figure 3-1.
Motor Starter Wiring

4. When wiring the motor, use the following wire sizing chart ONLY as a guide.

**WIRE SIZING GUIDE
FOR REFERENCE ONLY**

Distance → Motor rating ↓	50 feet	100 feet	150 feet	200 feet
208-230 V, 30 amp	#10 awg	#8 awg	#8 awg	#6 awg

awg = American Wire Gauge
amp = Motor Full Load Current
feet = Distance From MAIN Breaker Box to Control Panel



WARNING:

THE ABOVE CHART IS ONLY A REFERENCE FOR WIRE SIZING. YOU MUST CONSULT A QUALIFIED ELECTRICIAN TO DETERMINE THE ACTUAL WIRE SIZE REQUIRED TO SUIT YOUR PARTICULAR APPLICATION AND ELECTRIC CODE.

3.1.2 Checking the Hydraulic System

1. Check hydraulic reservoir as follows.
 - a. Replace the shipping cap with the chrome filler/breather cap provided.
 - b. Fluid level should be one inch from the top of tank.
2. Before making any hydraulic connections, inspect all hydraulic lines, fittings and hoses for leaks and risks of rupture as follows:

- a. Inspect each hydraulic line, fitting, and hose for breaks, cracks, worn spots, bulges, chemical attack, kinks or any other damage. Never try to stop any detected leak with any body parts. Do not put your face close to suspected leaks. Hold a piece of cardboard close to suspected leaks and then inspect the cardboard for signs of hydraulic oil.
- b. Replace a damaged line, fitting or hose immediately. Never repair the part.



WARNING:

LIQUID UNDER HIGH PRESSURE CAN PIERCE THE SKIN, CAUSING DEATH OR SERIOUS INJURY. IN CASE OF INJURY, GET IMMEDIATE MEDICAL ATTENTION.

3. The HydraPak uses flush-face quick-release couplings that are durable and easy to clean. Wipe the mating surfaces of the couplings with a clean rag prior to making connection. They are always fitted such that the male coupling supplies oil and the female coupling receives oil.
 - a. Connect the return (tank) line from the HydraPak return port to the return port of the hydraulic tool.
 - b. Then connect the pressure line from the hydraulic tool pressure port to the right (pressure) port on the HydraPak.
 - c. When making connections, do not over stretch the hoses or bend them at a sharp angle.



WARNING:

ENSURE HYDRAULIC HOSES ARE PROPERLY CONNECTED AND IN GOOD CONDITION.

3.2 STARTING AND OPERATING THE HYDRAPAK

1. Ensure the flow control knob is in the OFF position before starting.
2. Before starting the motor, Ensure that it has been properly wired as detailed in Section 3.1.1.
3. After starting the motor, use the flow control knob to select an output of either 5 or 8 GPM in accordance with your hydraulic tool instruction manual. Do not exceed the recommended flow and pressure for the hydraulic tool in use. Know how to stop your HydraPak quickly in case of emergency.



WARNING:

WHEN OPERATING THE HYDRAPAK, OBSERVE ALL SAFETY PRECAUTIONS DESCRIBED IN THE HYDRAPAK AND HYDRAULIC TOOL INSTRUCTION MANUALS. FAILURE TO COMPLY COULD RESULT IN DEATH, SERIOUS INJURY AND/OR EQUIPMENT DAMAGE.

4. Turn the flow control knob to the ON position to operate the tool.
5. Do NOT attempt to make any equipment adjustments during operation.

3.3 STOPPING THE HYDRAPAK

At the end of operation, secure the equipment to prevent unauthorized use. Never assume you will find the equipment in the same condition that you left it. Proceed as follows:

1. Let the motor run for about five (5) minutes to cool hydraulic oil and components, or for ten (10) minutes under severe operating conditions.
2. Turn the flow control knob to the OFF position.
3. Shut off the HydraPak motor.
4. Disconnect and lock out the power supply line

4 INSPECTION AND MAINTENANCE

4.1 GENERAL MAINTENANCE RULES

1. Proper maintenance of the HydraPak and related hydraulic equipment consists of adhering to all the guidelines given in this chapter and in the Pre-Operative Checklist in the front of this manual. Proper maintenance is required to maintain the system in good condition, which is defined as each part being free of damage or functional defects.
2. Review and follow all the safety rules given in Chapter 1 before attempting any maintenance.
3. Only authorized personnel should be allowed in the maintenance area. Authorized personnel are the trained people as defined below and their supervision.
4. Repairs must be made only by trained personnel. A trained person is one who has read and thoroughly understands this instruction manual and related equipment manuals and, through training and experience, has shown knowledge regarding the safe operational procedures.
5. All authorized maintenance personnel must wear the appropriate personal protective equipment as defined by their employer.



WARNING:

BEFORE STARTING ANY MAINTENANCE ON THE HYDRAPAK, DISCONNECT THE ELECTRIC POWER SOURCE AND LOCK IT OUT TO PREVENT ACCIDENTAL STARTUP.



WARNING:

DO NOT ADJUST OR REMOVE HYDRAULIC COMPONENTS, LINES, OR FITTINGS WHILE THE HYDRAPAK IS RUNNING OR WHENEVER THE HYDRAULIC FLUID IS HOT.



WARNING:

LIQUID UNDER HIGH PRESSURE CAN PIERCE THE SKIN, CAUSING DEATH OR SERIOUS INJURY. IN CASE OF INJURY, GET IMMEDIATE MEDICAL ATTENTION.

4.2 HYDRAULIC SYSTEM INSPECTION AND MAINTENANCE

1. Check to see that the hydraulic fluid is clean, and change oil and filter at recommended intervals to extend the life of the HydraPak. Refer to the maintenance summary in Section 4.5.
2. Clean debris from heat exchanger daily.
3. Before making any hydraulic connections, inspect all hydraulic lines, fittings and hoses for leaks and risks of rupture as follows:
 - a. Inspect each hydraulic line, fitting, and hose for breaks, cracks, worn spots, bulges, chemical attack, kinks or any other damage. Never try to stop any detected leak with any body parts. Do not put your face close to suspected leaks. Hold a piece of cardboard close to suspected leaks and then inspect the cardboard for signs of hydraulic oil.
 - b. Replace a damaged line, fitting or hose immediately. Never repair the part.
4. The HydraPak uses flush-face quick-release couplings that are durable and easy to clean. Wipe the mating surfaces of the couplings with a clean rag prior to making connection. They are always fitted such that the male coupling supplies oil and the female coupling receives oil.

4.3 ELECTRICAL INSPECTION AND MAINTENANCE

The electrical system requires the following visual inspections before each use of the HydraPak:

1. Fuses must be secured in their holders.
2. All terminal connections must be intact.

4.4 MOTOR INSPECTION AND MAINTENANCE

Grease electric motor fittings once a year to lubricate internal bearings.

4.5 MAINTENANCE SCHEDULE

The following table summarizes the type and frequency of maintenance required. Follow the manufacturer's instructions for detailed maintenance. For repairs, contact the nearest authorized service center.

TYPE OF MAINTENANCE	SERVICE FREQUENCY
Check and clean obstruction from heat exchanger*	Daily
Check that reservoir oil level is within one inch below filler cap—add if required	Daily
Check that hydraulic oil is clean	Daily
Check and clean obstructions from cooling fins and external surfaces	100 hrs.
Replace reservoir filter and oil after first 50 hrs. **	250 hrs.
Clean suction screen in reservoir	250 hrs.
Check coupling spider	250 hrs.
Grease wheel bearings	500 hrs.

* The hydraulic heat exchanger must always be kept clean and free of obstructions. Check it daily before operating and frequently during use. If debris builds up on the screen during operation, remove debris as soon as it is safely possible.



CAUTION:

AN OBSTRUCTED HEAT EXCHANGER WILL CAUSE THE HYDRAULIC SYSTEM TO OVERHEAT AND FAIL PREMATURELY.

** Change more often under heavy duty, high temperature applications. When draining the oil, clean filler/breather cap and replace if damaged

5 TROUBLESHOOTING

The following chart is intended to assist with troubleshooting the HE1058 HydraPak. While not all inclusive, the chart outlines the most common causes of a problem and the recommended course of action.

The troubleshooting guide for the associated hydraulic tool is in the manual specifically for this equipment.



CAUTION:

IF THE PROBLEM WITH THE MOTOR IS NOT CERTAIN, ALWAYS FOLLOW THE MANUFACTURER’S WARRANTY POLICY BEFORE ANY OTHER REPAIR OR MAINTENANCE IS ATTEMPTED.

SYMPTOM	CAUSE AND CORRECTIVE ACTION
Electric motor won't start.	<p>Motor wired improperly—do NOT tamper with either the electrical supply or the power line connections at either the motor or the main breaker. Consult a licensed electrical contractor.</p> <p>Blown fuse or tripped circuit breaker—replace or reset as required.</p> <p>Faulty switch—replace switch.</p>
Motor is blowing heaters in the starter box upon startup.	<p>Motor is drawing excess amperage because flow control knob is not OFF—turn to OFF position.</p> <p>Motor is wired improperly—do NOT tamper with either the electrical supply or the power line connections at either the motor or the main breaker. Consult a licensed electrical contractor.</p>
HydraPak won't operate hydraulic tool—motor operating normally.	<p>Low fluid level in reservoir—fill to required level.</p> <p>No hydraulic oil pressure caused by:</p> <ol style="list-style-type: none"> a. Flow control knob off—if no flow is selected, there can be no pressure. b. HydraPak pressure relief setting of 2250 psi is too low for the hydraulic tool being used—check hydraulic tool requirement. c. Air in fluid—inspect for oil leaks and repair to correct. <p>No hydraulic oil flow caused by:</p> <ol style="list-style-type: none"> a. Flow control knob off—turn to ON position and select either 5 or 8 GPM as described in Chapter 3. b. Hose disconnected—check hose connections. c. Coupling key sheared—inspect and replace. d. Damaged pump—inspect and replace. <p>Flow restriction caused by:</p> <ol style="list-style-type: none"> a. Kinked or damaged hose b. Pinched or damage steel line c. Poor connection in either a hose or steel line. <p>Coupling between motor and pump damaged—replace the following items as required:</p> <ol style="list-style-type: none"> a. Coupling spider worn out <p>Pump or motor key sheared.</p> <p>Pump or motor defective—contact the nearest authorized service center.</p>

<p>HydraPak won't operate hydraulic tool—motor operating normally. (continued)</p>	<p>Pump or motor defective—contact the nearest authorized service center.</p> <p>Inadequate electrical power source leading to motor failure or blown fuses on low voltage—if the power source and motor rating are not compatible, consult a licensed electrician.</p>
<p>HydraPak is operating hydraulic tool slowly or erratically—motor operating normally.</p>	<p>One or more of the following flow restrictions:</p> <ol style="list-style-type: none"> a. Hose kinked or damaged b. System filter clogged—fluid going through bypass. c. Suction filter clogged—fluid going through bypass. d. Steel line pinched or damaged. e. Heat exchanger clogged—overheating system. <p>Erratic pressure caused by:</p> <ol style="list-style-type: none"> a. Contamination in fluid—drain fluid, then inspect and replace filters and fluid. b. Air in fluid—inspect for oil leaks and repair to correct. <p>Oil viscosity too heavy for cold climate—contact your local supplier or Reimann & Georger Corporation for information.</p> <p>Pump or motor damaged or worn—contact your nearest authorized service center.</p> <p>System relief valve malfunctioning:</p> <ol style="list-style-type: none"> a. Stuck partially open b. Has broken spring. <p>HydraPak pressure relief setting of 2250 psi is too low for the hydraulic tool being used—check tool pressure requirement.</p> <p>Extension hoses too long:</p> <ol style="list-style-type: none"> a. Hoses over 50 feet long add sufficient friction to the hydraulic system to slow down the hydraulic tool slightly. b. Where possible, use as few quick disconnects as possible. c. An increase in system pressure may be required to compensate for long hose runs. Consult your local supplier or Reimann & Georger Corporation for information. <p>Hydraulic oil flow set too low—select 8 gpm on the flow control knob.</p> <p>Electric motor extension cord improperly sized, which can cause reduced voltage input.</p> <p>Low fluid level in reservoir—fill to required level.</p> <p>Hydraulic tool is being overloaded when working on the construction medium—check hydraulic tool specifications and reduce load on tool as required.</p>
<p>System overheats—motor operating normally.</p>	<p>Low fluid level in reservoir—fill to required level.</p> <p>Air in fluid—inspect for oil leaks and repair to correct.</p> <p>Severe operating conditions caused by:</p>

<p>System overheats—motor operating normally. (continued)</p>	<ul style="list-style-type: none"> a. Extremely high ambient temperature-- use a higher viscosity hydraulic oil. Consult your local supplier or Reimann & Georger Corporation for details. b. Extended duty cycle—operate HydraPak intermittently to provide cooling periods <p>Heat exchanger not functioning efficiently because air intake or internal parts of heat exchanger clogged/dirty—clear debris as required.</p>
<p>Hydraulic tool is overspeeding.</p>	<p>Flow is set too high—select 5 gpm on the flow control knob.</p>
<p>Oil is foaming.</p>	<p>Low fluid level in reservoir—fill to required level.</p> <p>Water in oil.</p> <p>Pump shaft seal worn out causing air to be drawn into pump.</p> <p>Air leak in suction line.</p> <p>Improper type of hydraulic oil--as an original equipment manufacturer, RGC uses a Grade ISO VG 32 hydraulic oil. If you have any questions concerning the type of oil you should use for your HydraPak, consult your local supplier or RGC for details.</p>
<p>Pump leaks.</p>	<p>Shaft seal worn on pump.</p> <p>Cracked inlet/outlet fitting.</p>
<p>Problem with split frame reassembly</p>	<p>Misalignment of top/bottom halves—align and assemble using grease to lube four frame telescoping sleeves, then secure with appropriate hardware.</p>

6 PARTS LIST

The following parts list applies to the HE1058C HydraPak only. Each item number on this parts list can be matched with the item number shown on the Figure 6-1 assembly drawing.

Item Number	Part Number	Quantity	Description
1	2504301	1	HEAT EXCHANGER WITHOUT FAN
2	2565162	1	MOTOR 10 HP 60HZ
3	2578235	1	HE STARTER BOX ASSY 10HP NEMA4X 220VAC
4	0545904	1	MAIN FRAME
5	0545906	2	RESERVOIR MOUNTING BRACKET
6	2510872	1	RESERVOIR
7	6000921	1	FILLER BREATHER CAP
8	5800138	5	ROUNDED SNAP CLEVIS PIN
9	2546006	1	FRAME HANDLE
10	6000908	1	SUCTION STRAINER
11	5800387	2	COTTER HAIR PIN
12	2504743	1	AXLE
13	6901502	2	PUMP ACCESS COVER
14	6900838	1	PUMP BRACKET
15	0503984	1	FRONT SUPPORT LEG W/ GRIP
16	6704795	1	PUMP COUPLING 1/2"
17	6704798	1	COUPLING INSERT
18	6700839	1	MOTOR COUPLING 1-3/8"
19	2510854	2	CONTROL KNOB (ONLY)
20	6085401	2	MANIFOLD CARTRIDGE W/ KNOB
	6000854	1	MANIFOLD ASSEMBLY (COMPLETE)
21	6001519	1	COUPLING 1/2" FEMALE
22	6001885	1	COUPLING 1/2" MALE
23	2514380	1	CONTROL PANEL
24	6205683	1	CONTROL PANEL DECAL
25	7600871	2	TIRE AND RIM ASSEMBLY
26	6004722	1	FILTER HEAD
26	6004723	1	FILTER ELEMENT
27	6950558	1	PUMP 5/8 GPM (PARKER)

LIMITED PRODUCT WARRANTY

**Reimann & Georger Corporation
Hoisting and Construction Products**

A. LIMITED WARRANTY

Reimann & Georger Corporation (the "Manufacturer") warrants to the original purchaser (the "Buyer") that all Reimann & Georger Hoisting and Construction products shall be free of defects in material and workmanship for a period of one (1) year from date of original purchase.

B. MANUFACTURER'S OBLIGATIONS

The Manufacturer's sole obligation under this Limited Warranty is the repair or, at the Manufacturer's discretion, the replacement of parts found to be defective. Parts and equipment must have authorization from the Manufacturer prior to return to the Manufacturer or repair by an authorized service person. Costs of transportation and other expenses connected with replacing or repairing parts are not covered under this Limited Warranty.

C. PARTS MANUFACTURED BY OTHERS

This Limited Warranty does not cover any parts manufactured by others. Such parts are subject to the warranty, if any, of their respective manufacturers, and are to be repaired only by a respective authorized service person for such parts. The Manufacturer shall have no obligation to undertake repairs of parts manufactured by others.

D. NO SPECIAL, INCIDENTAL, OR CONSEQUENTIAL DAMAGES

IN NO EVENT SHALL THE MANUFACTURER BE LIABLE TO THE BUYER OR ANY OTHER PERSON FOR ANY INDIRECT, SPECIAL, INCIDENTAL OR CONSEQUENTIAL LOSSES OR DAMAGES CONNECTED WITH THE USE OF THE PRODUCT UNDER THIS LIMITED WARRANTY. SUCH DAMAGES FOR WHICH THE MANUFACTURER SHALL NOT BE RESPONSIBLE INCLUDE, BUT ARE NOT LIMITED TO, LOST TIME AND CONVENIENCE, LOSS OF USE OF THE PRODUCT, THE COST OF A PRODUCT RENTAL, COSTS OF GASOLINE, TELEPHONE, TRAVEL, OR LODGING, THE LOSS OF PERSONAL OR COMMERCIAL PROPERTY, AND THE LOSS OF REVENUE.

E. NO LIABILITY IN EXCESS OF PURCHASE PRICE

IN NO EVENT SHALL THE MANUFACTURER'S OBLIGATIONS UNDER THIS LIMITED WARRANTY EXCEED THE PURCHASE PRICE OF THE PRODUCT.

F. NO EXTENSION OF STATUTE OF LIMITATIONS

ANY REPAIRS PERFORMED UNDER THIS WARRANTY SHALL NOT IN ANY WAY EXTEND THE STATUTES OF LIMITATIONS FOR CLAIMS UNDER THIS LIMITED WARRANTY.

G. WAIVER OF OTHER WARRANTIES

THE EXPRESS WARRANTIES SET FORTH IN THIS LIMITED WARRANTY ARE IN LIEU OF AND EXCLUDE ANY AND ALL OTHER WARRANTIES, EXPRESS OR IMPLIED, INCLUDING, BUT NOT LIMITED TO, THE IMPLIED WARRANTIES OR MERCHANTABILITY AND FITNESS FOR A PARTICULAR PURPOSE.

H. PROCEDURE FOR WARRANTY PERFORMANCE

If the product fails to perform to the Manufacturer's specifications, the Buyer must provide the Manufacturer with the applicable model and serial numbers, the date of purchase, and the nature of the problem.

I. ADDITIONAL EXCLUSIONS FROM THIS LIMITED WARRANTY. THIS LIMITED WARRANTY DOES NOT COVER ANY OF THE FOLLOWING:

1. Equipment which has been abused, damaged, used beyond rated capacity, or repaired by persons other than authorized service personnel.
2. Damage caused by acts of God which include, but are not limited to, hailstorms, windstorms, tornadoes, sandstorms, lightning, floods, and earthquakes.
3. Damage under conditions caused by fire or accident, by abuse or by negligence of the user or any other person other than the Manufacturer, by improper installation, by misuse, by incorrect operation, by "normal wear and tear", by improper adjustment or alteration, by alterations not completed by authorized service personnel, or by failure of product parts from such alterations.
4. Costs of repairing damage caused by poor or improper maintenance, costs of normally scheduled maintenance, or the cost of replacing any parts unless done as the result of an authorized repair covered by the one (1) year Limited Warranty.
5. Costs of modifying the product in any way once delivered to the Buyer, even if such modifications were added as a production change on other products made after the Buyer's product was built.

J. NO AUTHORITY TO ALTER THIS LIMITED WARRANTY

No agent, representative, or distributor of the Manufacturer has any authority to alter the terms of this Limited Warranty in any way.