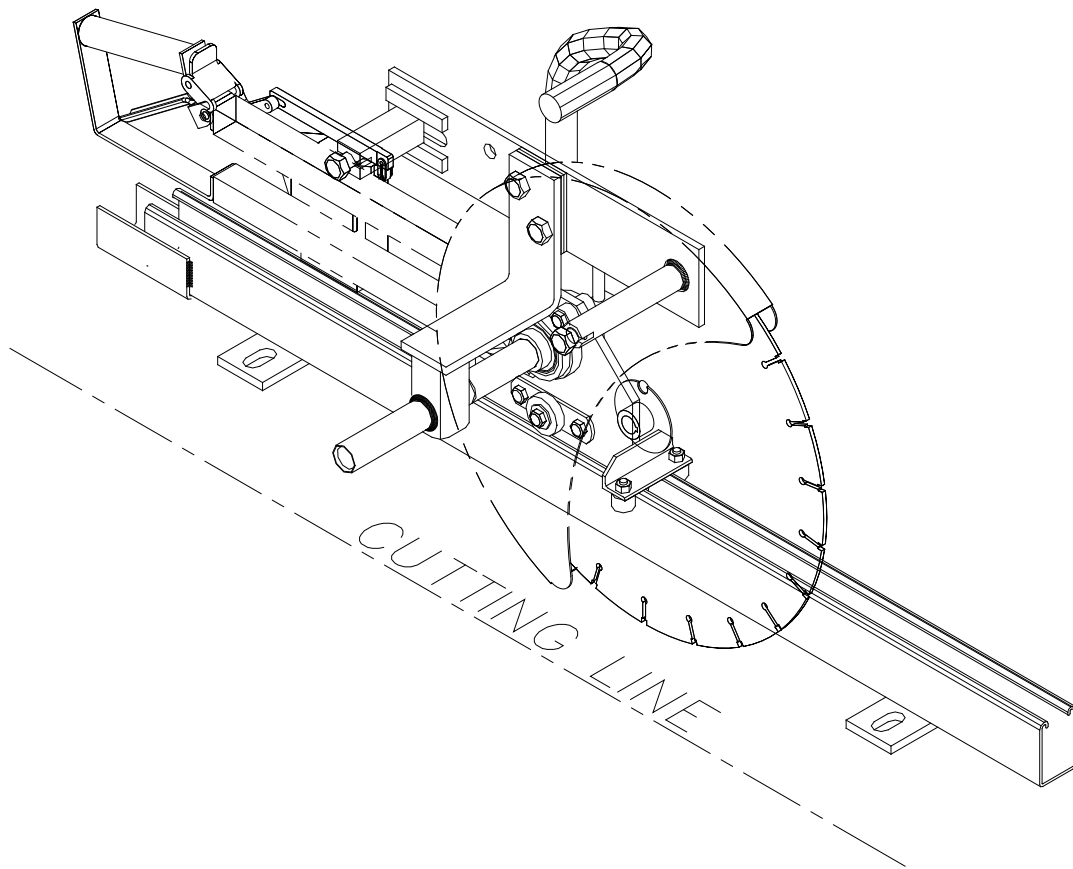




SAW GUIDE INSTRUCTIONS



REIMANN & GEORGER CORPORATION
CONSTRUCTION PRODUCTS
P/N 6122085

BUFFALO, NY
02/14/11

TABLE OF CONTENTS

CHAPTER	TITLE	PAGE
1	SAFETY	1
1.1	Introduction	1
1.2	Safety Definitions	1
1.3	Power Source and Saw Safety Labels.....	1
1.4	Saw Safety Rules	1
2	SPECIFICATIONS	3
2.1	Introduction	3
2.2	Technical Data.....	3
3	SET UP	4
3.1	Guide Track Mounting	4
3.2	Mounting Bracket to Hydrasaw	5
3.3	Carriage to Guide Rail	6
3.4	Saw Mount Bracket to Carriage.....	7
4	OPERATION	8
4.1	Starting the System	8
4.2	Cutting Procedure	8
4.3	Shutdown and Storage	9
5	PARTS LISTS	10
5.1	Carriage Assembly.....	10
5.2	Saw Mount Bracket	12
5.3	39" Track Assembly	13
5.4	84" Track assembly	14

LIST OF FIGURES

FIGURE	DESCRIPTION	PAGE
3-1	Saw Guide Track 39".....	4
3-2	Saw Guide Track 84".....	4
3-3	Mounting Saw Bracket To Hydrasaw	5
3-4	Carriage and Guide Rail	6
3-5	Adjust Carriage Bearings to Guide Rail	6
3-6	Saw Mounting to Carriage- Left Side	7
3-7	Saw Mounting to Carriage- Right Side.....	7
5-1	Carriage Assembly.....	11
5-2	Mounting Bracket Assembly	12
5-3	Sawguide Track 39"	13
5-4	Sawguide Track 84"	14

1 SAFETY

1.1 INTRODUCTION

Your Reimann & Georger Corporation Saw Guide has been designed for use with a Reimann & Georger Corporation Hydrasaw only. It is engineered to provide sawing performance, long term economics and safety advantages that no other type can match. However, even a well-designed and well-built saw guide can malfunction or become hazardous in the hands of an inexperienced and/or untrained user. Therefore, read this manual and related equipment manuals thoroughly before operating your saw to provide maximum safety for all operating personnel, and to get the maximum benefit from your equipment.

1.2 SAFETY DEFINITIONS

A safety message alerts you to potential hazards that could injure you or others or cause property damage. The safety messages or signal words for product safety signs are **DANGER**, **WARNING**, and **CAUTION**. Each safety message is preceded by a safety alert symbol and is defined as follows:

DANGER: Indicates an imminently hazardous situation which, if not avoided, **will** cause death or serious injury. This safety message is limited to the most extreme situations.

WARNING: Indicates a potentially hazardous situation which, if not avoided, **could** result in death or serious injury.

CAUTION: Indicates a potentially hazardous situation which, if not avoided, **may** result in minor or moderate injury. It may also be used to alert against unsafe practices that may result in property-damage-only accidents.

1.3 POWER SOURCE AND SAW SAFETY LABELS

These labels warn you of potential hazards that could cause injury. Read them carefully. If a label comes off or becomes illegible, contact Reimann & Georger Corporation for a free replacement.

1.4 SAW SAFETY RULES

1. Only trained personnel shall operate the saw and sawguide or perform repairs. A trained person is one who has read and thoroughly understands this instruction manual and related equipment manuals and, through training and experience, has shown knowledge regarding the safe operational procedures.
2. Sawing area must be kept clear of unauthorized personnel at all times. Place barricades or secure the area with signs and a roped boundary to prevent personnel injury.
3. Never use the saw in an explosive atmosphere and/or near combustible material that could be ignited by a spark.
4. Do not use a saw that shows any signs of damage. Do not use the saw if the blade does not stop rotating when the power-activating trigger lever is released.
5. The guard provides protection against contact with moving parts, ejected debris, and during wet cutting operations, thrown water and concrete slurry. Adjust the blade guard for the cut being made. Never run the saw without the blade guard in place.
6. Never allow anyone to stand in front of, or in line with, the blade forward of the guard.
7. Always use blades that meet applicable safety code specifications. Read and comply with blade manufacturer's instructions and safety precautions provided with the blade. Destroy any blade with cracks, chips, gouges, or loose or missing tips.
8. **Always** use safety footwear, safety goggles or face shields, and hearing and head protection devices. Safety shoes **MUST** provide good footing to prevent slipping or falling down. Gloves protect the hands from chips and should be

worn. During dry cutting operations, provide also adequate ventilation or approved NIOSH or MSHA respirators in closed areas to avoid breathing dust. During wet cutting operations, use also a snug fitting wet suit.

9. Do not use the saw when you are tired or fatigued.
10. Never operate the saw under the influence of drugs, alcohol, or medication.
11. Always carry the saw in its de-energized state.
12. Keep the saw handles dry, clean, and free of oil or fuel.
13. This saw is not insulated. Do not start cutting without first de-energizing electrical wiring near the cutting site or imbedded in any concrete.
14. Prior to cutting, plan your cuts to prevent pinching of the blade or personnel injury from falling material.
15. Always hold the saw with both hands during operation. Use a firm grip on the handles.
16. Never exceed the maximum flow and pressure rating of the saw which is 8 gpm at 2500 psi.
17. Do not exceed either the maximum operating speed of 4100 rpm or the blade manufacturer's rated speed.
18. Do NOT attempt to adjust the saw during operation.
19. Keep clothing and all parts of the body away from moving parts of this saw when connected to a power source or being used.
20. Any slurry formed during wet cutting operations is very slick. Remove while still wet to prevent yourself or others from slipping while cutting. Slurry that has been allowed to dry is very difficult to remove.
21. Always shut off the hydraulic power and cooling water sources before disconnecting the hoses or servicing the saw. Never remove fittings or components when hydraulic fluid is hot.
22. Always shut off the hydraulic and cooling water sources when not using the equipment.

2 SPECIFICATIONS

2.1 INTRODUCTION

Your Reimann & Georger Hydrasaw Saw Guide is a rugged versatile wall cutting attachment, lets you work fast and efficient making straight cuts. The Wall Mounted Saw Guide is easy to setup and makes cutting in difficult places much easier. The Saw Guide Attachment will accept the Reimann & Georger Corporation model S14, S16, S20 or S24 Hydrasaws.

The Saw Guide carriage runs in the track on sealed bearings for smooth and rigid guiding of the Hydrasaw. The saw guide carriage also has adjustable rollers to correct play in the rail. The carriage has an adjustable brake that is used to easily set the brake to hold the carriage in place when mounting the Hydrasaw or set the brake to give carriage drag to utilize the weight of the saw unit for good cutting capacity.

A mounting bracket is provided to attach the Hydrasaw to the carriage. The mounting bracket has two ½” bolts that attach to the Hydrasaw frame. The mounting bracket fastens to the carriage simply by a swivel screw shaft. This method of fastening allows the Hydrasaw to mount or dismount quick and easy. Also the Hydrasaw can be mounted on the left or right side of the rail depending on your cutting requirements.

The saw guide track is available in two lengths. A 39-7/8” long (3.32 ft long) track and a 84” long (7 ft long) track, both of which are galvanized for durability. Track sections may be joined together for longer cutting requirements using the included track splice.

The following items are provided:

- 39-7/8” or 84” track
- Carriage Assembly
- Saw Mounting Bracket

2.2 TECHNICAL DATA

The following specifications apply to the Saw Guide.

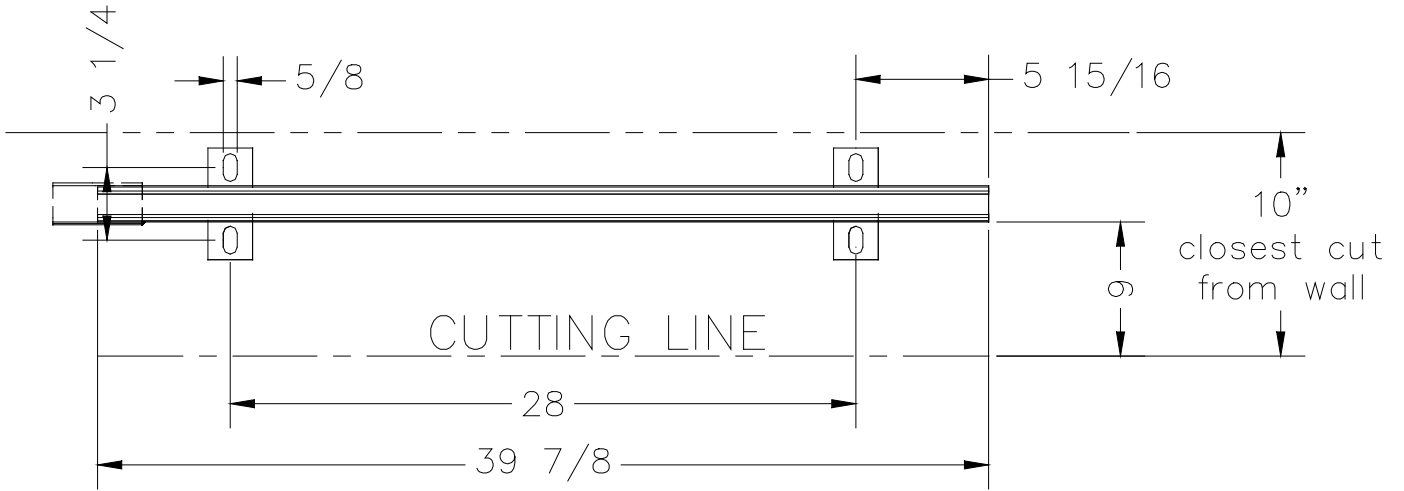
Saw Guide Physicals	ENGLISH	METRIC
39” Track Weight	10 lbs.	(4.5 kg.)
Overall Length	41-7/8 in.	(1013 mm)
Overall Width	5 in.	(127 mm)
Overall Height	2 3/4 in.	(70 mm)
84” Track Weight	20 lbs.	(9 kg.)
Overall Length	86 in.	(2185 mm)
Overall Width	5 in.	(127 mm)
Overall Height	2 3/4 in.	(70 mm)
Carriage Weight	12 lbs.	(5.5 kg.)
Overall Length	9 in.	(229 mm)
Overall Width	9 1/2 in.	(241 mm)
Overall Height	6 3/4 in.	(171 mm)
Mounting Bracket Weight	8 lbs.	(3.6 kg.)

3 SET UP

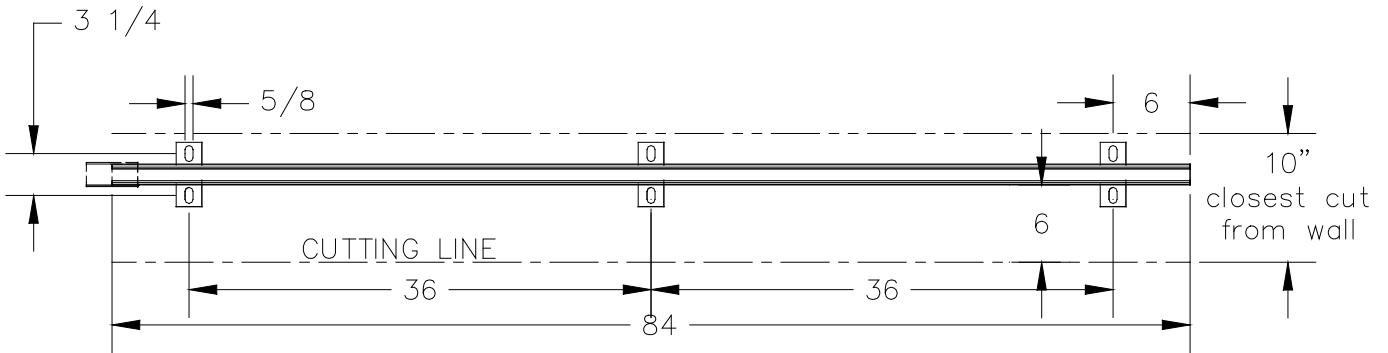
3.1 SAWGUIDE TRACK INSTALLATION

The wall mount sawguide 39-7/8" long track (3.32 feet), has two mounting plates for mounting to the wall. The 7 FT long track has three mounting plates for mounting to the wall. A joint coupling is also provided at one end of the rail so that additional track sections can be connected together for longer cuts.

1. Use a chalk line to locate where cut is desired. The closest cut from a wall or obstruction is 10".
2. Mount the track to the wall as shown in figure 3.1 or figure 3-2. Slotted holes are provided for minor adjustment in track location when attaching track to wall. Additional track sections can be attached as required.



SAWGUIDE TRACK 39"
Figure 3-1.

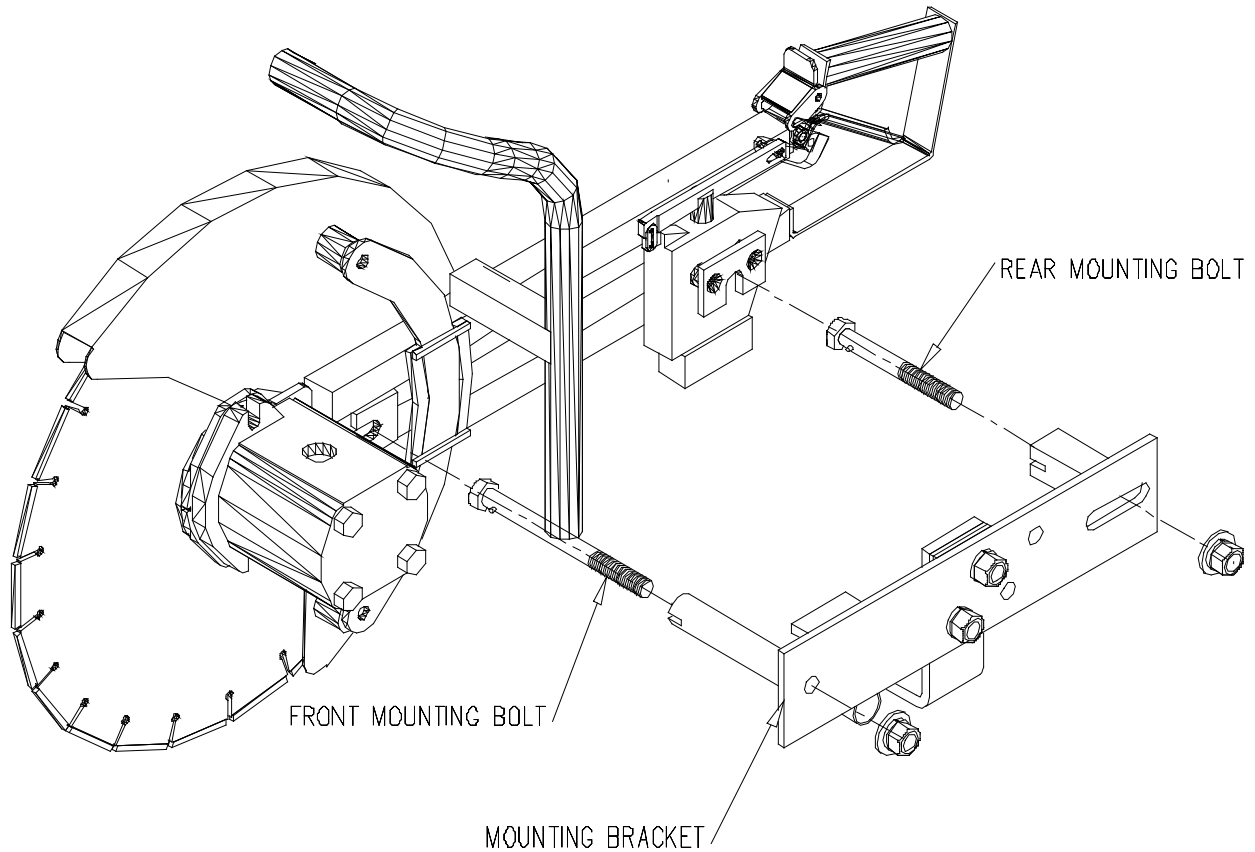


SAWGUIDE TRACK 84"
Figure 3-2.

3.2 MOUNTING BRACKET TO HYDRASAW

The Hydrasaw attaches to the mounting bracket by means of two slotted mounting tabs on the saw frame. One tab is located between the frame adjacent to hydraulic motor. The second is positioned adjacent to saw valve.

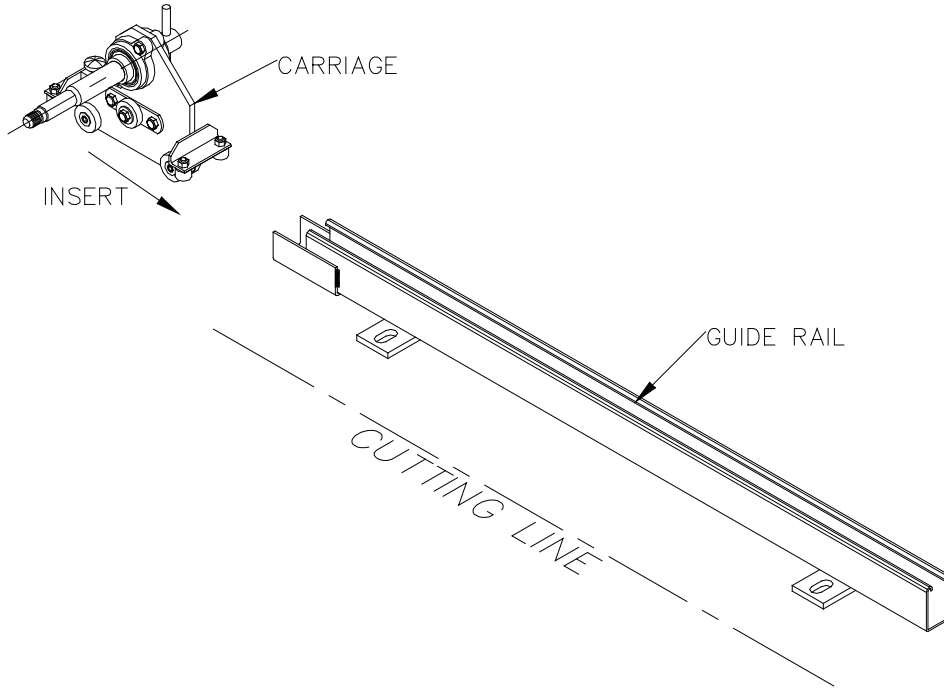
1. Refer to **Figure 3-3**. Loosen front (detail 30) and rear (detail 29) mounting bolts.
2. Position front saw mounting tab onto front mounting bolt.
3. Rotate saw to engage mount adjacent to valve onto rear mounting bolt. The rear mounting bolt is slotted to provide radial adjustment with Hydrasaw frame.
4. Ensure pins in both mounting bolts are engaged in slots of mounting bracket tubes to stop bolts from rotating. Tighten front and rear mounting bolts.



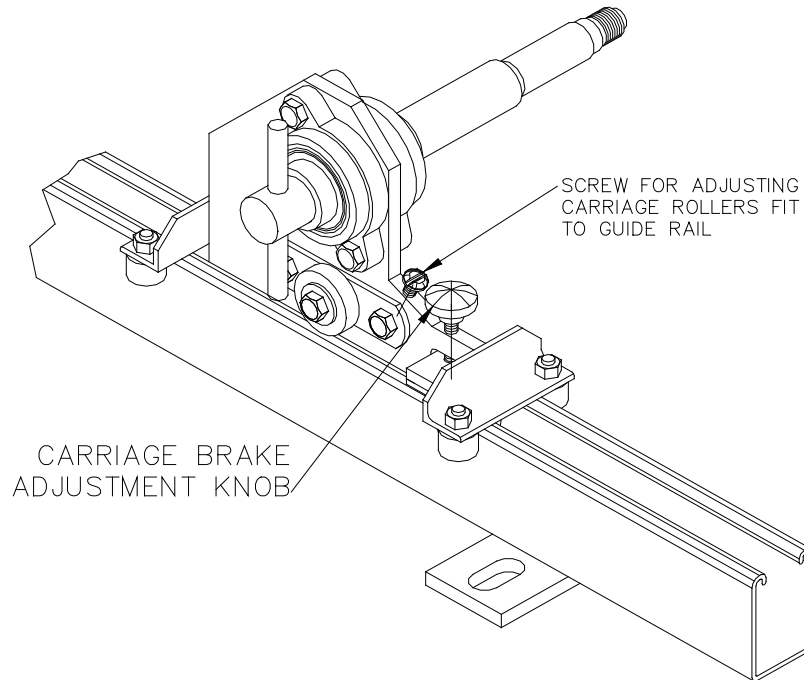
**Mounting Bracket to Hydrasaw
(Hydrasaw S16 shown)
Figure 3-3.**

3.3 CARRIAGE TO GUIDE RAIL

1. Insert the carriage onto the guide rail. Orient the carriage so that the threaded end of the 1" diameter shaft is facing the cutting side as shown in figure 3-4.
2. Adjust the center bearings to eliminate carriage looseness on the guide rail. A truss head screw is provided for adjusting the carriage bearings as shown in figure 3-5.



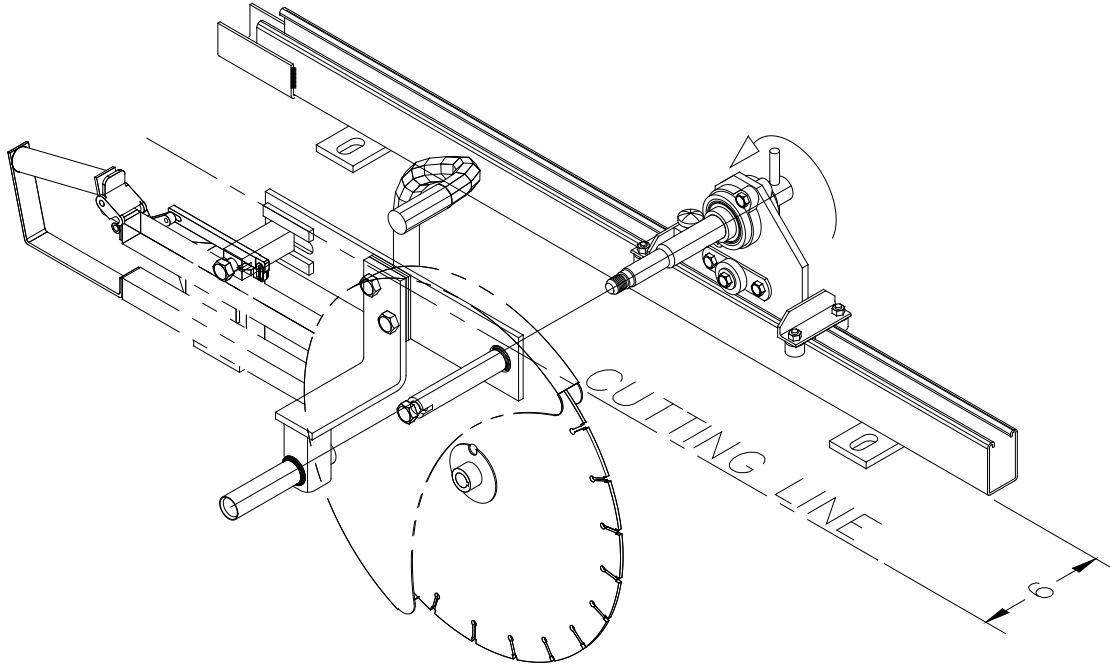
**Carriage and Guide Rail
Figure 3-4.**



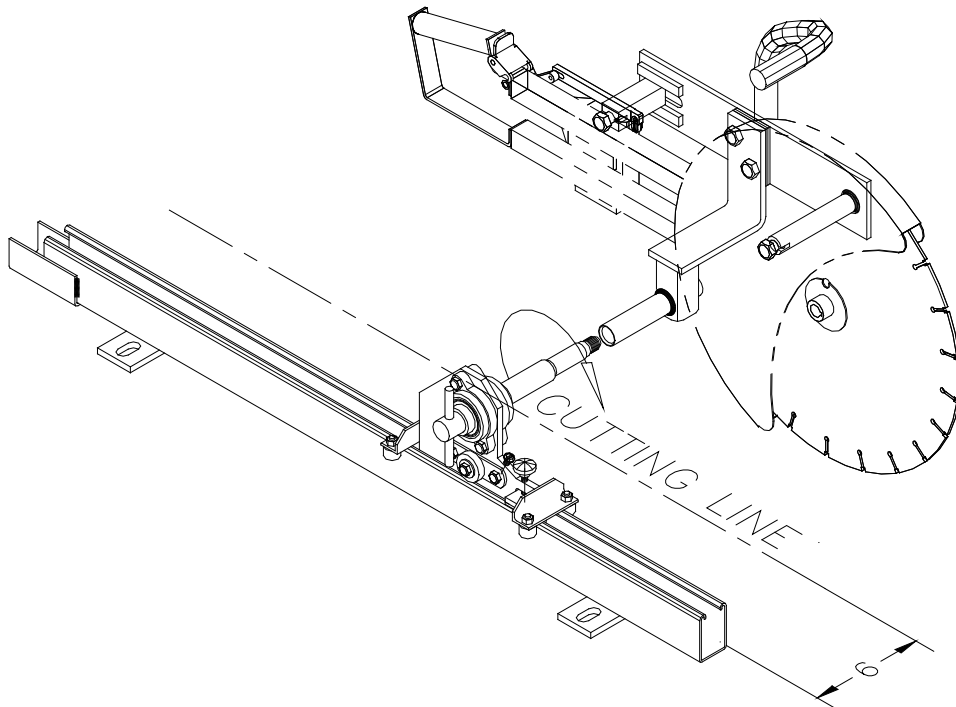
**Adjust Carriage Bearings to Guide Rail
Figure 3-5.**

3.3 MOUNT BRACKET TO CARRIAGE

1. Insert the mounting bracket onto the pivot shaft on the carriage. The mounting bracket can be installed either on the left or right side of the guide rail depending cutting requirements. See figures 3-6 or 3-7.
2. Turn pivot shaft on the carriage to attach the mounting bracket & tighten.



Saw Mounting to Carriage- Left Side
Figure 3-6.



Saw Mounting to Carriage- Right Side
Figure 3-7.

4 OPERATION

Follow all the safety procedures in Chapter 1 of this manual and in the manual supplied with your saw and hydraulic power unit. **Failure to do this can cause equipment damage and/or personal injury.** Make sure you are wearing all your safety equipment including approved NIOSH or MSHA respirators during dry cutting or a wet suit during wet cutting.

4.1 STARTING THE SYSTEM

1. This saw guide is not insulated. Do not start cutting without first checking for live electrical wiring near the cutting site, or imbedded in the cutting medium. If power lines are unavoidable, consult power company before starting operation.
2. The following precautions must be observed when lifting the saw:
 - a. Be sure of your footing.
 - b. Keep hands off trigger to avoid accidental operation.
3. Insure the power supply is turned off. Adjust the blade guard to provide the best operator protection from the angle of the cut to be made.



WARNING:

THE GUARD PROVIDES PROTECTION AGAINST CONTACT WITH MOVING PARTS, EJECTED DEBRIS, AND DURING WET CUTTING OPERATIONS, THROWN WATER AND CONCRETE SLURRY. NEVER RUN THE SAW WITHOUT THE BLADE GUARD IN PLACE.

4. Always check the hydraulic flow and pressure rating of the hydraulic power unit before using to prevent equipment damage. Do not exceed the maximum hydraulic flow rate and pressure of 8 gpm (30 lpm) and 2500 psi (172 bar). Overspeeding the blade can cause equipment damage and possible personal injury.
5. Before starting your power supply, read and fully understand the operating manual provided.
6. Use caution when handling fuel for a gasoline engine driven hydraulic power source. Move the hydraulic power source at least 10 feet from the fueling point before starting the engine. Make sure the gas caps on the hydraulic power source and fuel can are properly tightened.

4.2 CUTTING PROCEDURE

1. Use a chalk line where the cut is desired.
2. Position blade 1" over line of desired cut and push saw guide along guide rail to check blade alignment with cut. Adjust guide rail if necessary to ensure straight with chalk line.
3. Position saw guide carriage again to beginning point of cut.
4. Adjust carriage brake to either hold the carriage in place or set the brake to give perfect drag to utilize the weight of the unit for optimal cutting capacity.
5. Start hydraulic power source. Turn water supply on to saw if required.
6. Disengage the trigger lockout. Then depress (squeeze) the trigger to start the saw. Never exceed either the blade maximum operating speed or the blade manufacturer's rated speed.
7. Push saw guide forward keeping blade in line with chalk mark. If blade slows or climbs decrease feed rate of cut. Step cutting may be required with 20" or 24" blades.



WARNING:

ALWAYS START AND FINISH A SAW CUT WITH THE SAME WIDTH OF BLADE. IF BLADE TYPE OR WIDTH IS CHANGED, START A NEW SAW CUT. FAILURE TO DO THIS CAN CAUSE EQUIPMENT DAMAGE AND/OR PERSONAL INJURY.

4.3 SHUTDOWN AND STORAGE

1. To stop the saw, release the trigger.
2. AFTER the blade has stopped rotating, stop the hydraulic power source following the procedure in the respective instruction manual.
3. Shut off water supply.



CAUTION:

ALWAYS SHUT OFF THE COOLING WATER WHEN THE TOOL IS NOT IN USE. LEAVING THE WATER RUNNING UNATTENDED CAN CAUSE EQUIPMENT OR PROPERTY DAMAGE.

5. Clean concrete slurry and debris off saw and saw guide. Once concrete slurry is dry, it is very hard to remove and may hamper the operation of moving parts.
6. Disconnect the hoses from the saw.



WARNING:

NEVER DISCONNECT ANY HYDRAULICALLY OPERATED PART OF THE SAW OR REMOVE HYDRAULIC COMPONENTS, LINES, OR FITTINGS WHILE THE POWER SOURCE IS RUNNING OR WHENEVER THE HYDRAULIC FLUID IS HOT.

LIQUID UNDER HIGH PRESSURE CAN PIERCE THE SKIN, CAUSING SERIOUS INJURY OR DEATH. HOT LIQUID CAN CAUSE SERIOUS PERSONAL BURNS. IF AN INJURY OCCURS, GET IMMEDIATE MEDICAL ATTENTION.

7. Secure the saw and hydraulic power source to prevent unauthorized use.
8. Store the saw in a clean, dry area away from exposure to high heat and humidity, water, other liquids, or freezing temperatures. Avoid temperatures low enough to cause condensation on the blade when moving it from storage to a higher temperature. Always handle and store blades carefully.

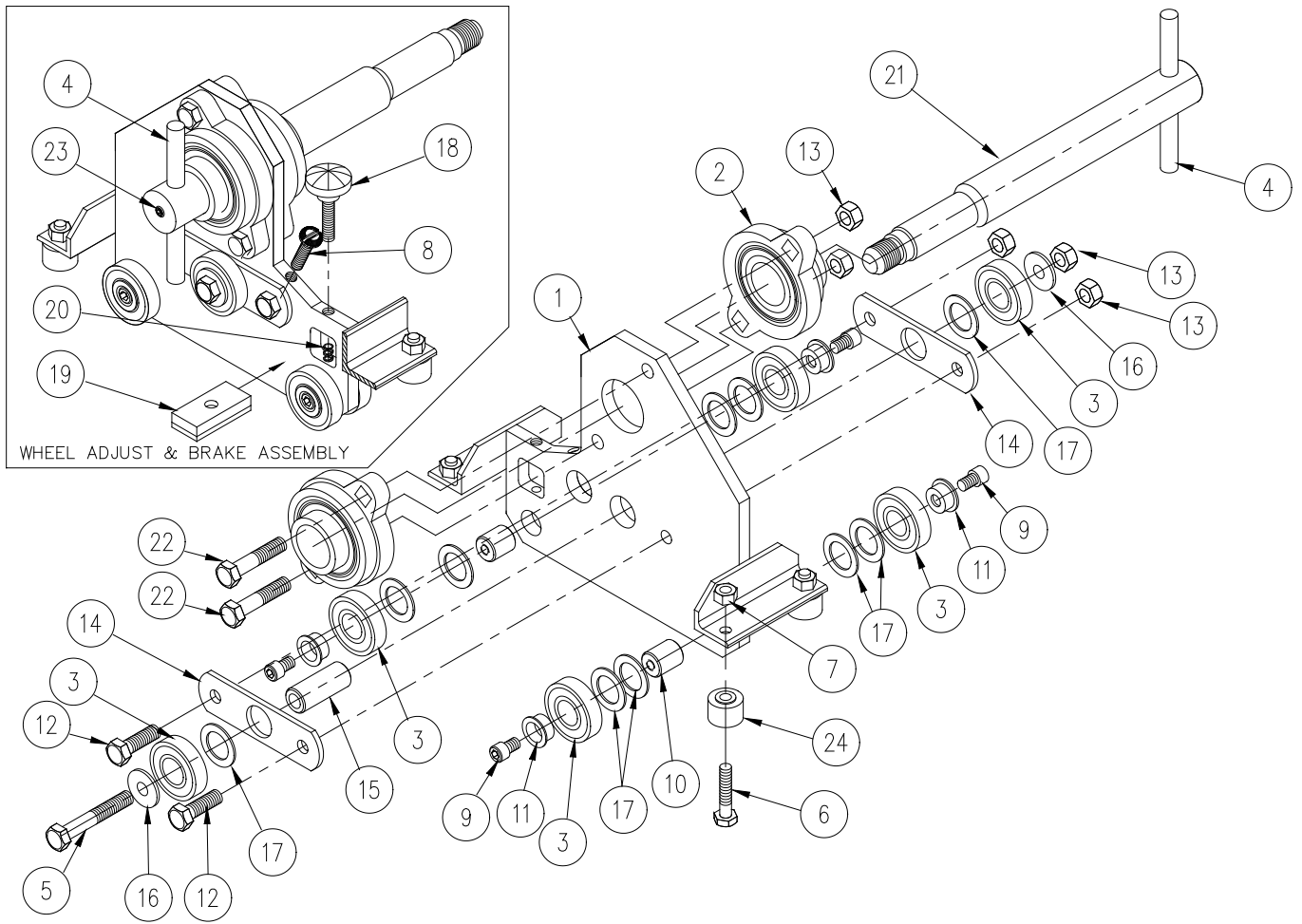
5 PARTS LIST

The following parts list applies to the Wall Mounted Saw Guide only. The parts list for the Hydrasaw models S14, S16 S20 or S24 are in the separate manual supplied for this item. Each item number on the following parts list can be matched with the item number shown on the assembly drawing.

5.1 SAWGUIDE CARRIAGE ASSEMBLY

Refer to Figure 5-1.

Item Number	Part Number	Quantity	Description
1	2011535	1	Carriage Frame
2	5100925	2	Flanged Bearing
3	5111920	6	Ball Bearing
4	2011605	1	Shaft Handle
5	5806228	1	5/16 x 2 Hex Head Cap Screw
6	5806207	4	1/4 x 1 Hex Head Cap Screw
7	5806366	4	1/4 Toplock Hex Nut
8	5806331	1	1/4 x 1 Truss Head Screw
9	5811930	4	1/4 x 3/8 Socket Head Cap Screw
10	2011515	2	Fixed Bearing Shaft
11	2011505	4	Bearing Retainer
12	5806224	2	5/16 x 1 Hex Head Cap Screw
13	5806367	5	5/16 Toplock Hex Nut
14	2011520	2	Bearing Side Plate
15	2011510	1	Adjustable Bearing Shaft
16	5806401	2	5/16 SAE Flat Washer
17	5811940	10	5/8" ID, 1" OD x .048" Thick Steel Shim Washer
18	6411945	1	Knurled Knob
19	2011530	1	Carriage Brake Assembly
20	5811935	1	3/16" OD x 1" Compression Spring
21	2011580	1	Pivot Shaft
22	5806226	2	5/16 x 1-1/2" Hex Head Cap Screw
23	5806308	1	1/4 x 3/16 Set Screw
24	5111925	4	3/4" Camrol Bearing

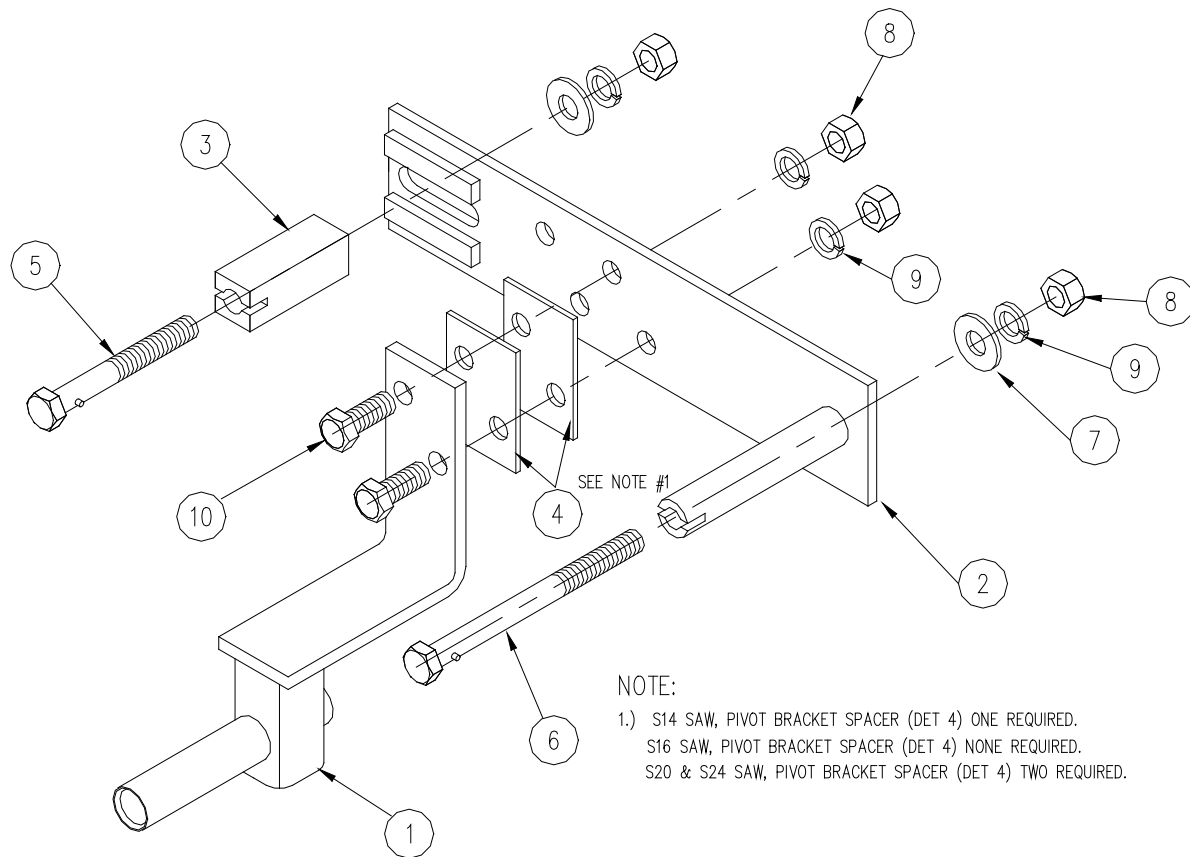


CARRIAGE ASSEMBLY
Figure 5-1.

5.2 SAW MOUNT BRACKET ASSEMBLY

Refer to Figure 5-2.

Item Number	Part Number	Quantity	Description
1	2011570	1	Pivot Mounting Bracket
2	2011555	1	Pivot Bracket Plate
3	2011590	1	Saw Mounting Spacer
4	2011560	2	Pivot Bracket Spacer
5	2011545	1	4" Saw Mounting Bolt
6	2011550	1	6" Saw Mounting Bolt
7	5806400	2	1/2 SAE Flat Washer
8	5806379	4	1/2 Hex Nut
9	5806412	4	1/2 External Tooth Washer
10	5806282	2	1/2 x 1-1/2 Hex Head Cap Screw



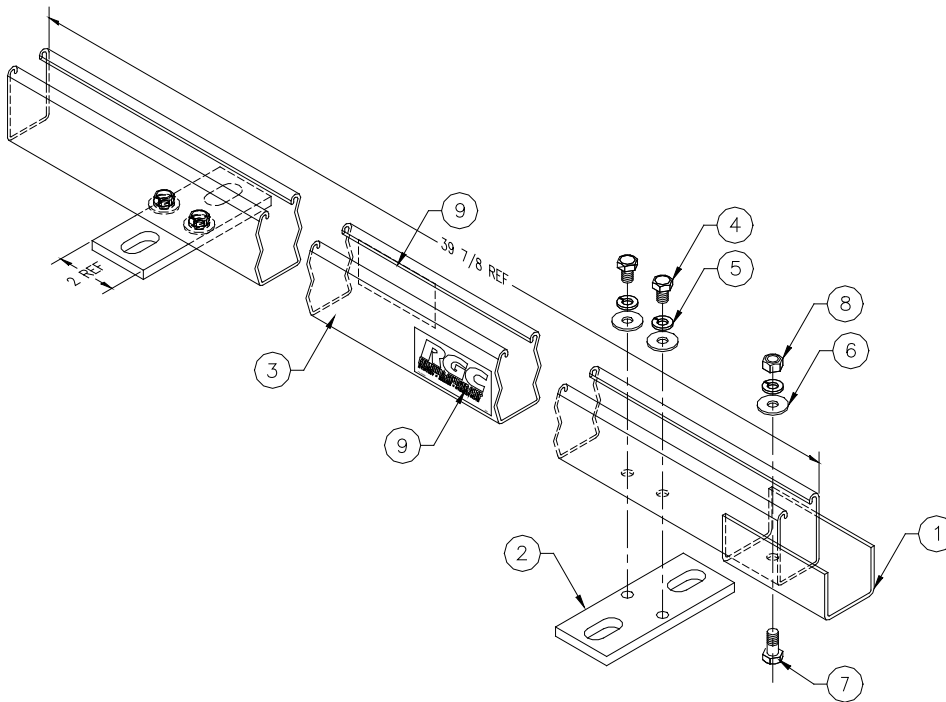
HYDRASAW MOUNTING BRACKET

Figure 5-2.

5.3 SAW GUIDE 39" TRACK ASSEMBLY

Refer To Figure 5-3.

Item Number	Part Number	Quantity	Description
1	2011625	1	Track Splice
2	2011610	2	Track Mounting Plate
3	2011705	1	39" Track
4	5806220	4	5/16-18 x 1/2 Hex Head Cap Screw
5	5806402	5	5/16" External Tooth Washer
6	5806401	5	5/16" SAE Flat Washer
7	5806222	1	5/16-18 x 3/4 Hex Head Cap Screw
8	5806375	1	5/16" Hex Nut
9	6204405	2	Decal "RGC" Logo

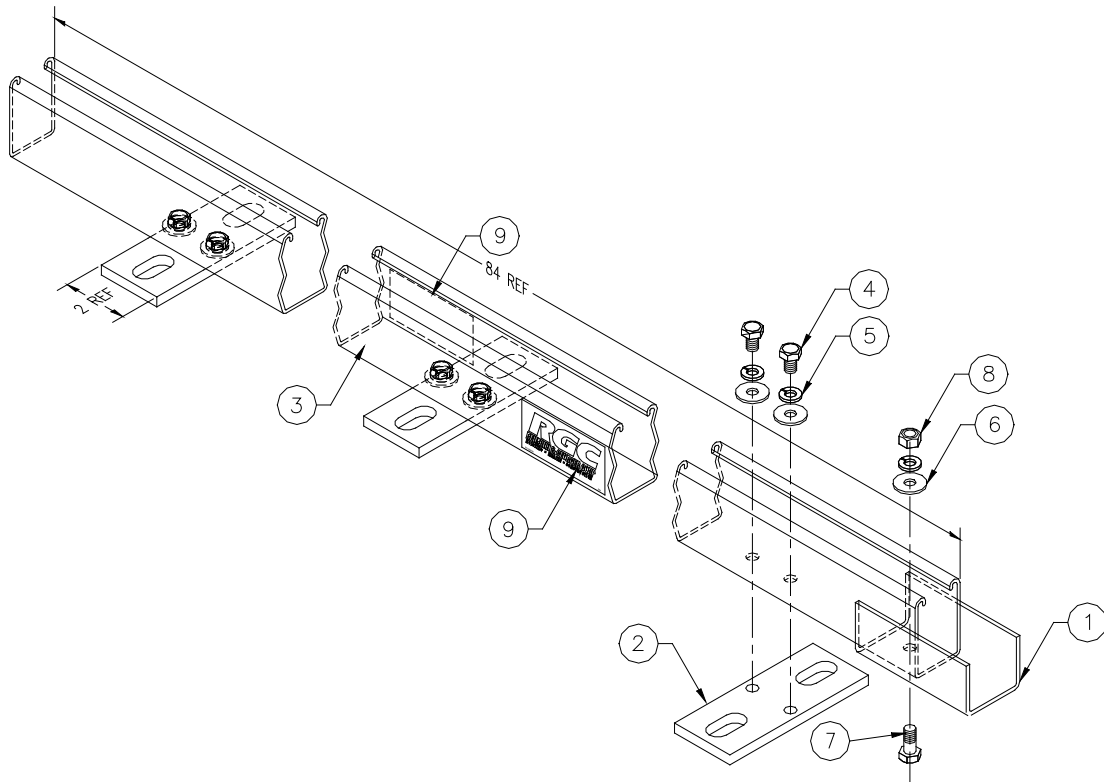


**SAW GUIDE 39" TRACK ASSEMBLY
FIGURE 5-3.**

5.4 SAWGUIDE 84" TRACK ASSEMBLY

Refer To Figure 5-4.

Item Number	Part Number	Quantity	Description
1	2011625	1	Track Splice
2	2011610	3	Track Mounting Plate
3	2011835	1	84" Track
4	5806220	6	5/16-18 x 1/2 Hex Head Cap Screw
5	5806402	7	5/16" External Tooth Washer
6	5806401	7	5/16" SAE Flat Washer
7	5806222	1	5/16-18 x 3/4 Hex Head Cap Screw
8	5806375	1	5/16" Hex Nut
9	6204405	2	Decal "RGC" Logo



**SAW GUIDE 84" TRACK ASSEMBLY
FIGURE 5-4.**

LIMITED PRODUCT WARRANTY

**Reimann & Georger Corporation
Hoisting and Construction Products**

A. LIMITED WARRANTY

Reimann & Georger Corporation (the "Manufacturer") warrants to the original purchaser (the "Buyer") that all Reimann & Georger Hoisting and Construction products shall be free of defects in material and workmanship for a period of one (1) year from date of original purchase.

B. MANUFACTURER'S OBLIGATIONS

The Manufacturer's sole obligation under this Limited Warranty is the repair or, at the Manufacturer's discretion, the replacement of parts found to be defective. Parts and equipment must have authorization from the Manufacturer prior to return to the Manufacturer or repair by an authorized service person. Costs of transportation and other expenses connected with replacing or repairing parts are not covered under this Limited Warranty.

C. PARTS MANUFACTURED BY OTHERS

This Limited Warranty does not cover any parts manufactured by others. Such parts are subject to the warranty, if any, of their respective manufacturers, and are to be repaired only by a respective authorized service person for such parts. The Manufacturer shall have no obligation to undertake repairs of parts manufactured by others.

D. NO SPECIAL, INCIDENTAL, OR CONSEQUENTIAL DAMAGES

IN NO EVENT SHALL THE MANUFACTURER BE LIABLE TO THE BUYER OR ANY OTHER PERSON FOR ANY INDIRECT, SPECIAL, INCIDENTAL OR CONSEQUENTIAL LOSSES OR DAMAGES CONNECTED WITH THE USE OF THE PRODUCT UNDER THIS LIMITED WARRANTY. SUCH DAMAGES FOR WHICH THE MANUFACTURER SHALL NOT BE RESPONSIBLE INCLUDE, BUT ARE NOT LIMITED TO, LOST TIME AND CONVENIENCE, LOSS OF USE OF THE PRODUCT, THE COST OF A PRODUCT RENTAL, COSTS OF GASOLINE, TELEPHONE, TRAVEL, OR LODGING, THE LOSS OF PERSONAL OR COMMERCIAL PROPERTY, AND THE LOSS OF REVENUE.

E. NO LIABILITY IN EXCESS OF PURCHASE PRICE

IN NO EVENT SHALL THE MANUFACTURER'S OBLIGATIONS UNDER THIS LIMITED WARRANTY EXCEED THE PURCHASE PRICE OF THE PRODUCT.

F. NO EXTENSION OF STATUTE OF LIMITATIONS

ANY REPAIRS PERFORMED UNDER THIS WARRANTY SHALL NOT IN ANY WAY EXTEND THE STATUTES OF LIMITATIONS FOR CLAIMS UNDER THIS LIMITED WARRANTY.

G. WAIVER OF OTHER WARRANTIES

THE EXPRESS WARRANTIES SET FORTH IN THIS LIMITED WARRANTY ARE IN LIEU OF AND EXCLUDE ANY AND ALL OTHER WARRANTIES, EXPRESS OR IMPLIED, INCLUDING, BUT NOT LIMITED TO, THE IMPLIED WARRANTIES OR MERCHANTABILITY AND FITNESS FOR A PARTICULAR PURPOSE.

H. PROCEDURE FOR WARRANTY PERFORMANCE

If the product fails to perform to the Manufacturer's specifications, the Buyer must provide the Manufacturer with the applicable model and serial numbers, the date of purchase, and the nature of the problem.

I. ADDITIONAL EXCLUSIONS FROM THIS LIMITED WARRANTY. THIS LIMITED WARRANTY DOES NOT COVER ANY OF THE FOLLOWING:

1. Equipment which has been abused, damaged, used beyond rated capacity, or repaired by persons other than authorized service personnel.
2. Damage caused by acts of God which include, but are not limited to, hailstorms, windstorms, tornadoes, sandstorms, lightning, floods, and earthquakes.
3. Damage under conditions caused by fire or accident, by abuse or by negligence of the user or any other person other than the Manufacturer, by improper installation, by misuse, by incorrect operation, by "normal wear and tear", by improper adjustment or alteration, by alterations not completed by authorized service personnel, or by failure of product parts from such alterations.
4. Costs of repairing damage caused by poor or improper maintenance, costs of normally scheduled maintenance, or the cost of replacing any parts unless done as the result of an authorized repair covered by the one (1) year Limited Warranty.
5. Costs of modifying the product in any way once delivered to the Buyer, even if such modifications were added as a production change on other products made after the Buyer's product was built.

J. NO AUTHORITY TO ALTER THIS LIMITED WARRANTY

No agent, representative, or distributor of the Manufacturer has any authority to alter the terms of this Limited Warranty in any way.