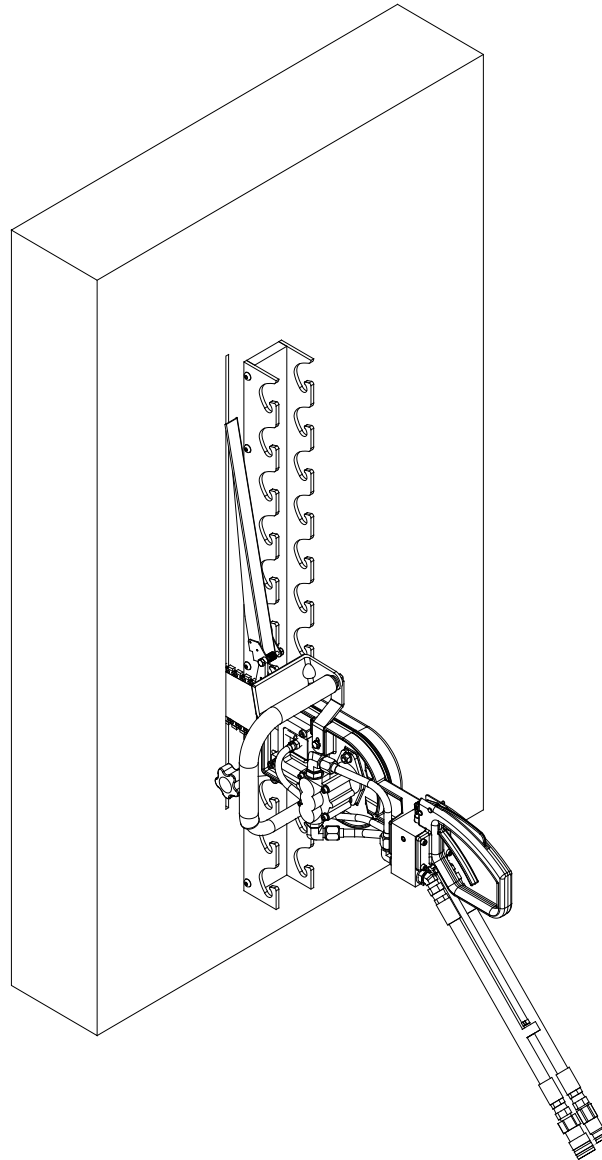




# C150 CAST SPEEDHOOK INSTRUCTIONS



REIMANN & GEORGER CORPORATION  
CONSTRUCTION PRODUCTS  
P/N 6122058

BUFFALO, NY  
3/25/15

## TABLE OF CONTENTS

CHAPTER	TITLE	PAGE
<b>1</b>	<b>SAFETY .....</b>	<b>1</b>
1.1	Introduction .....	1
1.2	Safety Definitions .....	1
1.3	Safety Labels .....	1
1.4	Safety Rules .....	1
<b>2</b>	<b>INSTALLATION AND SETUP .....</b>	<b>3</b>
2.1	Planning the Cut .....	3
2.2	Mounting the Speedhook to Wall .....	3
2.3	Mounting the Bracket to the Hydracutter.....	4
<b>3</b>	<b>OPERATION .....</b>	<b>6</b>
3.1	Before Making the Cut .....	6
3.2	Cutting Procedure .....	6
3.3	Preparing for Shutdown.....	6
<b>4</b>	<b>TROUBLESHOOTING .....</b>	<b>8</b>
<b>5</b>	<b>PARTS LIST .....</b>	<b>9</b>

## LIST OF FIGURES

FIGURE	DESCRIPTION	PAGE
2-1	Speedhook Cutting Dimensions.....	3
2-2	C150 Cast frame drilling Layout .....	4
2-3	C150 Cast Speedhook Assembly .....	5
2-4	C150 Cast Speedhook Assembly .....	5
3-1	Cutting Procedure .....	7
5-1	C150 Speedhook Assembly Drawing .....	10

# 1 SAFETY

## 1.1 INTRODUCTION

Your Reimann & Georger Corporation C150 Speedhook enables straight line cutting with reduced chain wear and operator fatigue. The C150 Hydracutter mounted on the Speedhook is a safe, well-designed and well-built system. However, the system can still malfunction or become hazardous in the hands of an inexperienced and/or untrained user. Therefore, read this manual and related equipment manuals thoroughly before using your Speedhook to provide maximum safety for all operating personnel, and to get the maximum benefit from your equipment.

## 1.2 SAFETY DEFINITIONS

A safety message alerts you to potential hazards that could injure you or others or cause property damage. The safety messages or signal words for product safety signs are **DANGER**, **WARNING**, and **CAUTION**. Each safety message is preceded by a safety alert symbol and is defined as follows:

**DANGER:** Indicates an imminently hazardous situation which, if not avoided, **will** cause death or serious injury. This safety message is limited to the most extreme situations.

**WARNING:** Indicates a potentially hazardous situation which, if not avoided, **could** result in death or serious injury.

**CAUTION:** Indicates a potentially hazardous situation which, if not avoided, **may** result in minor or moderate injury. It may also be used to alert against unsafe practices that may result in property-damage-only accidents.

## 1.3 SAFETY LABELS

These labels warn you of potential hazards that could cause injury. Read them carefully. If a label comes off or becomes illegible, contact Reimann & Georger Corporation for a free replacement.

## 1.4 SAFETY RULES



### **WARNING:**

**OBSERVE ALL THE SAFETY RULES IN THE C150 HYDRACUTTER MANUAL IN ADDITION TO THOSE LISTED BELOW. FAILURE TO DO THIS CAN CAUSE SERIOUS PERSONAL INJURY AND/OR EQUIPMENT DAMAGE.**

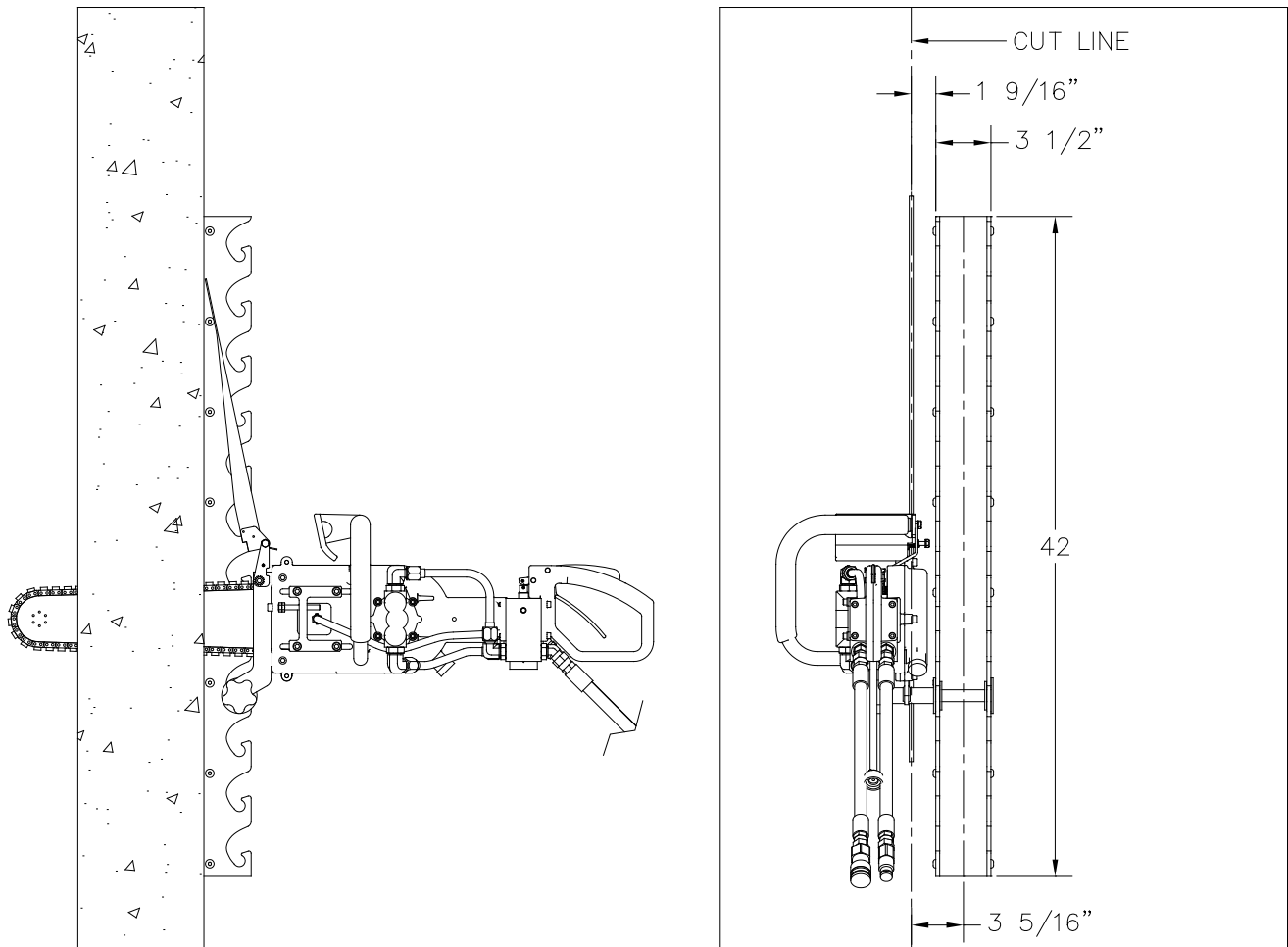
1. Operators must be thoroughly trained before using the Speedhook and associated C150 Hydracutter. A trained person is one who has read and thoroughly understands this instruction manual and related equipment manuals and, through training and experience, has shown knowledge regarding the safe operational procedures.
2. Do not use the Speedhook or the saw if either shows any signs of damage.
3. Never set up the Speedhook in an explosive atmosphere and/or near combustible material that could be ignited by a spark.
4. Sawing area must be kept clear of unauthorized personnel at all times. On **both** sides of a wall, place barricades or secure the area with signs and a roped boundary to prevent personnel injury.
5. Use all personal protective equipment as defined by the employer. As a minimum, safety glasses, safety shoes, hard hat, and gloves must be worn.
6. Do not set up the Speedhook **or** start cutting without first de-energizing electrical wiring near the cutting site or imbedded in the concrete.
7. Before cutting through a wall, check both sides for possible obstructions.
8. Always operate the saw in a well-ventilated area.

9. Never operate the saw on the Speedhook without the chain guard and Speedhook splashguard in place.
10. Keep the saw handles dry, clean, and free of oil or fuel.
11. Always hold the saw with both hands during operation. Use a firm grip on the handles.
12. Keep clothing and all parts of the body away from moving parts of the saw when connected to a power source or when being used.
13. Never adjust or service the saw during operation or while connected to the HydraPak.
14. Know how to stop the associated HydraPak quickly in case of emergency.
15. The slurry formed during cutting operations is very slick. Remove while still wet to prevent yourself or others from slipping while cutting. Slurry that has been allowed to dry is very difficult to remove.
16. Do not use the saw or Speedhook when you are tired or fatigued, or when under the influence of drugs, alcohol, or medication.
17. Always shut off the hydraulic and cooling water sources when not using the equipment.
18. At end of operation, secure the HydraPak and saw to prevent unauthorized use. Never assume you will find the equipment in the same condition in which you left it.

## 2 INSTALLATION AND SETUP

### 2.1 PLANNING THE CUT

1. Insure the available space in the cutting area is adequate for using the Speedhook. The length of the Speedhook is 42 inches (105 cm) and the width is 3.5 inches (89 mm).
2. Outline the cut with a permanent marker.
3. Layout concrete anchor marks, labeled "A" in Figure 2-1, 3-5/16 inches (83 mm) inside each cut line.
4. Drill the anchor holes 2-1/4 inches deep with a 3/8-inch (9.52 mm) masonry drill bit. The anchor bolts **cannot** extend out of the wall more than 1-3/8 inches (35 mm), or interference can occur.
5. Always use the following cutting sequence. Start with the right-hand side cut first, then the bottom, and then the top. Save the left-hand side cut for last. When using this sequence, you will only need to reverse the axle on the saw bracket for the last cut.
6. Insure that any falling cut concrete will not injure operator or bystanders. Clear the work area of all unauthorized personnel.



**Figure 2-1**  
**Speedhook Cutting Dimensions**

## 2.2 MOUNTING THE SPEEDHOOK TO WALL

1. Loosely attach the rail to the wall for making the needed horizontal and vertical adjustments.
2. Use the scribe line at the bottom of the rail to line up where you want the cut to end.
3. Position the outside of the rail, labeled “B” in Figure 2-1, exactly 1-1/2 inches (38 mm) from the center of the cut line and securely tighten the anchors.

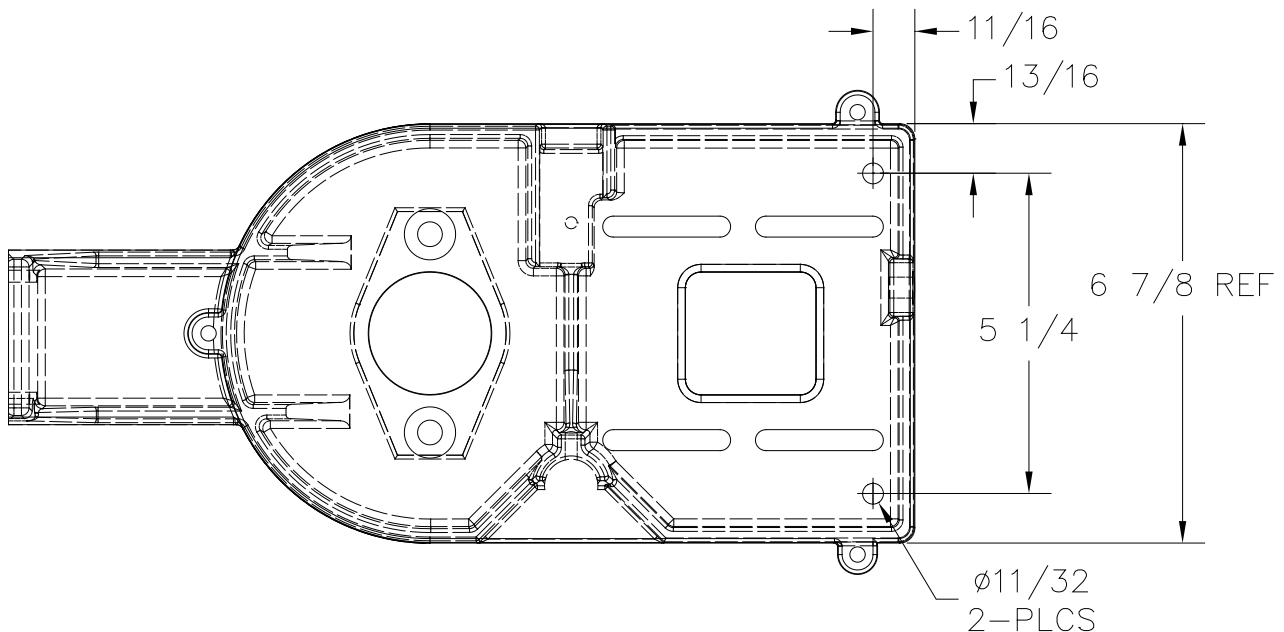
## 2.3 MOUNTING THE BRACKET TO THE HYDRACUTTER



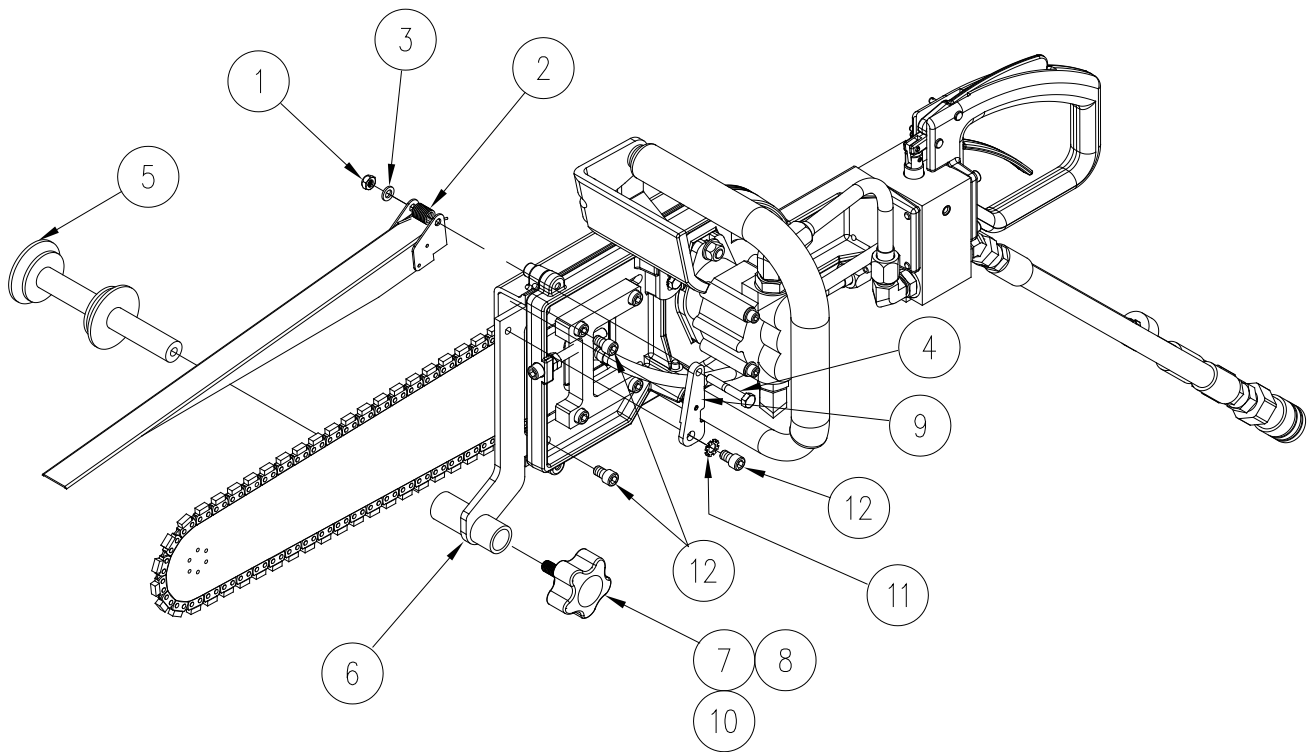
### WARNING:

**BEFORE MOUNTING THE BRACKET TO THE HYDRACUTTER, DISCONNECT THE SAW FROM THE HYDRAULIC POWER SOURCE TO PREVENT ACCIDENTAL STARTUP.**

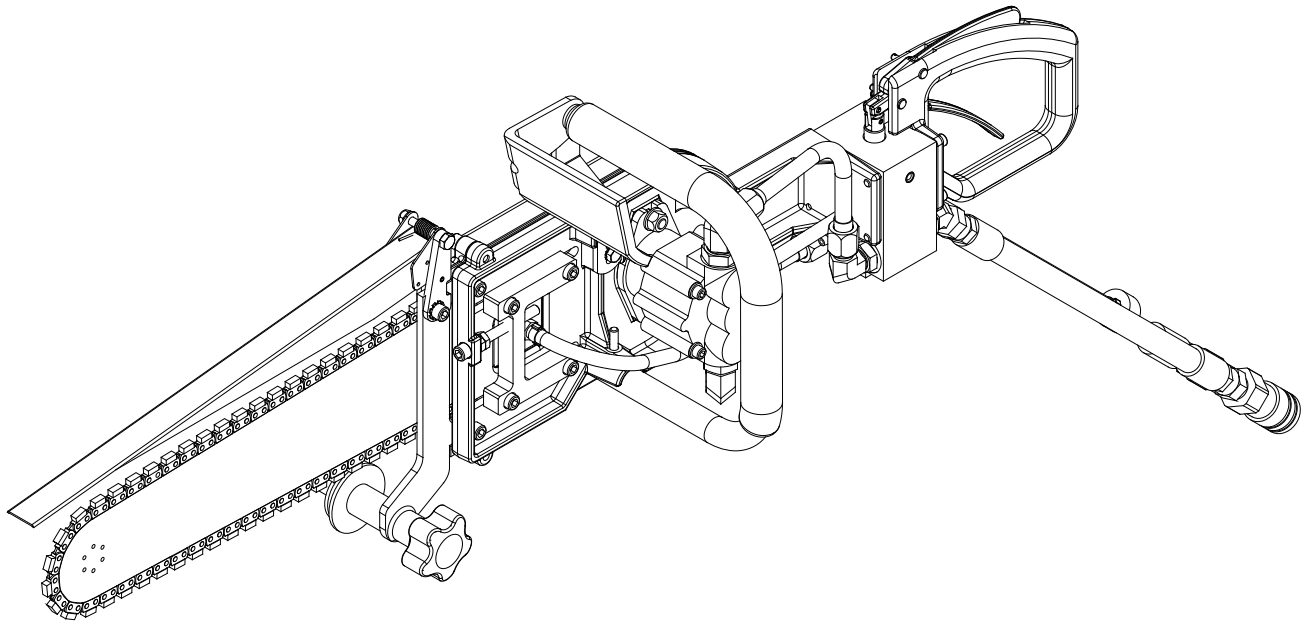
1. Two 11/32 holes must be drilled in C150 cast frame of saw. Refer to figure 2-2 for hole location layout.
2. Do NOT try to mount the bracket and the associated hardware to anything other than the C150 Hydracutter.
3. Position the mounting bracket (detail 6) on the inside of the saw frame next to the bar. Use (2) 5/16-18 x 1/2” socket head cap screws(detail 12) to mount to saw frame.
4. Position the splash guard bracket (detail 4) over the top hole in the mounting bracket. The splash guard (detail 2) will run along the upper length of the bar. Secure mounting bracket to the frame and the splash guard to the mounting bracket with the 5/16” x 1/2” socket head cap screw supplied. See Figure 2-3.
5. Install the supplied 5/16” x 1/2” socket head cap screw into the bottom hole of the mounting bracket.
6. Insert the axle (detail 5) into the mounting bracket (detail 6) and firmly tighten the knob (details 7, 8 & 10).



**Figure 2-2**  
**C150 Cast Frame Drilling Layout**



**Figure 2-3**  
**Speedhook Assembly**



**Figure 2-4**  
**Speedhook Assembly**

## 3 OPERATION

### 3.1 BEFORE MAKING THE CUT

1. Read and fully understand the entire C150 Hydracutter manual before proceeding.
2. Review all the safety procedures described in Chapter 1 of this manual.



#### **WARNING:**

**CHECK FOR LIVE ELECTRICAL WIRING AND OTHER OBSTRUCTIONS NEAR THE CUTTING AREA OR IN THE CONCRETE. FAILURE TO DO THIS CAN CAUSE DEATH, SERIOUS PERSONAL INJURY, AND/OR EQUIPMENT DAMAGE.**

3. Clear the working area of all bystanders. On **both** sides of a wall, place barricades or secure the area in such a manner that no personnel would be injured by flying construction debris.
4. Ensure all personnel are using the appropriate safety equipment as defined by the employer. As a minimum, safety glasses, safety shoes, hard hat, and gloves must be worn.
5. Read and fully understand the operating manual for the hydraulic power source being used.
6. Ensure that no hydraulic hose is kinked or bent at a sharp angle.

### 3.2 CUTTING PROCEDURE

Refer to Figure 3-1.

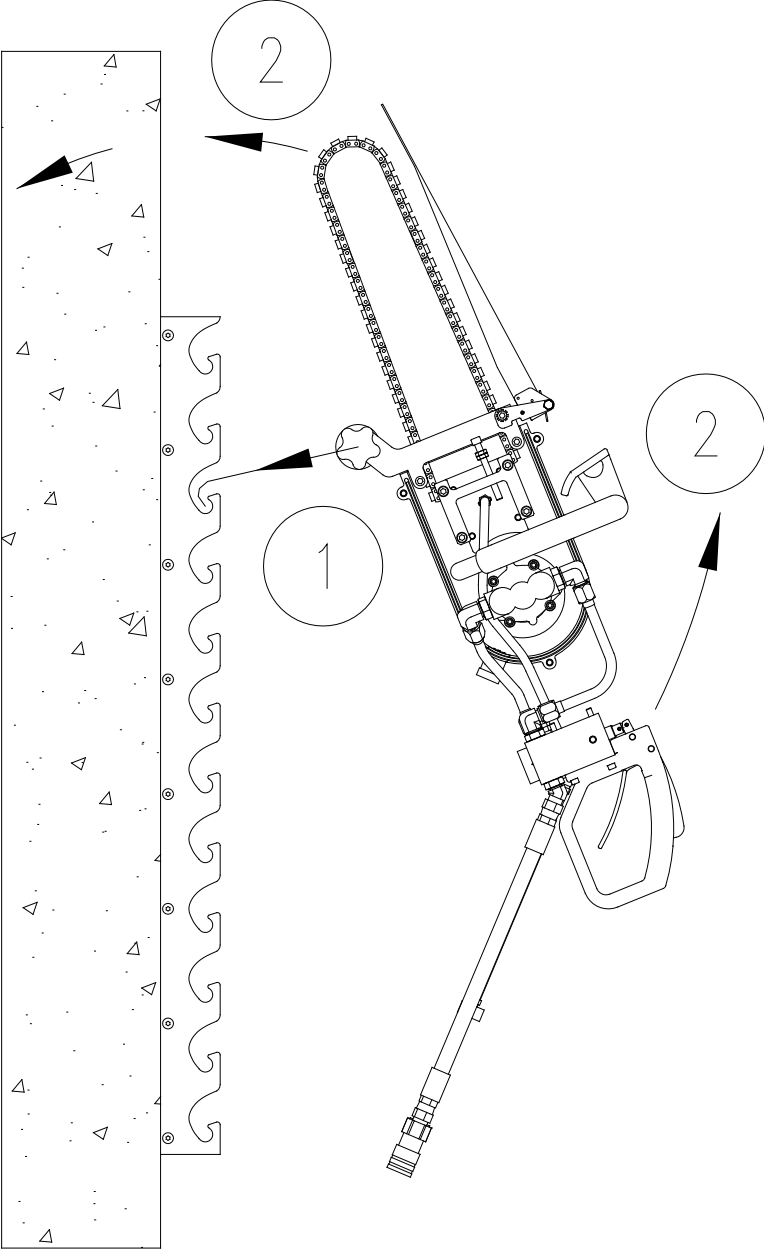
1. Grasp the auxiliary handle of the Hydracutter with your left hand. Use the appropriate part of the handle for engaging the axial mount into the hooks of the track near the beginning of the cut. The axial mount and track hooks are shown as items #1 and #2, respectively, in Figure 3-1.
2. Grasp the trigger with your right hand.
3. Disengage the trigger lockout. Then depress (squeeze) the trigger to start the saw.
4. Rotate the saw into the wall, making sure the cut starts **exactly** on the cut line. This will insure straight cuts.
5. When starting a cut, do not force the chain into the cutting medium. Jarring impacts can decrease the life and performance of the chain.
6. A constant chain speed is important for optimum cutting. Aggressive plunge forces may cause the saw to jam when exiting the cut.
7. As the saw approaches the end of its rotation, keep the chain running and index to the next set of hooks. It is easier to index if the saw has not reached full 90°.

### 3.3 PREPARING FOR SHUTDOWN

1. At the completion of the cut, leave the cooling water on and run the saw for 15 seconds with the bar tip down. This will flush slurry and debris from the system.
2. Stop the saw by releasing the trigger lever.
3. Follow the shutdown procedure for the Hydracutter as described in the C150 manual.
4. Allow the system and hydraulic fluid to cool before disconnecting hydraulic hoses.
5. Wash concrete slurry from saw assembly and Speedhook.



- 6. Spray entire Speedhook, saw, chain, bar, and drive sprocket with a light weight penetrating oil. This will minimize rust and reduce slurry buildup on saw assembly.
- 7. Secure the hydraulic power source and Hydracutter to prevent unauthorized use.



**Figure 3-1.**  
**Cutting Procedure**

## 4 TROUBLESHOOTING

The following chart is intended to assist with troubleshooting problems related to the C150 Speedhook. While not all inclusive, the chart outlines the most common causes of a problem and the recommended course of action.

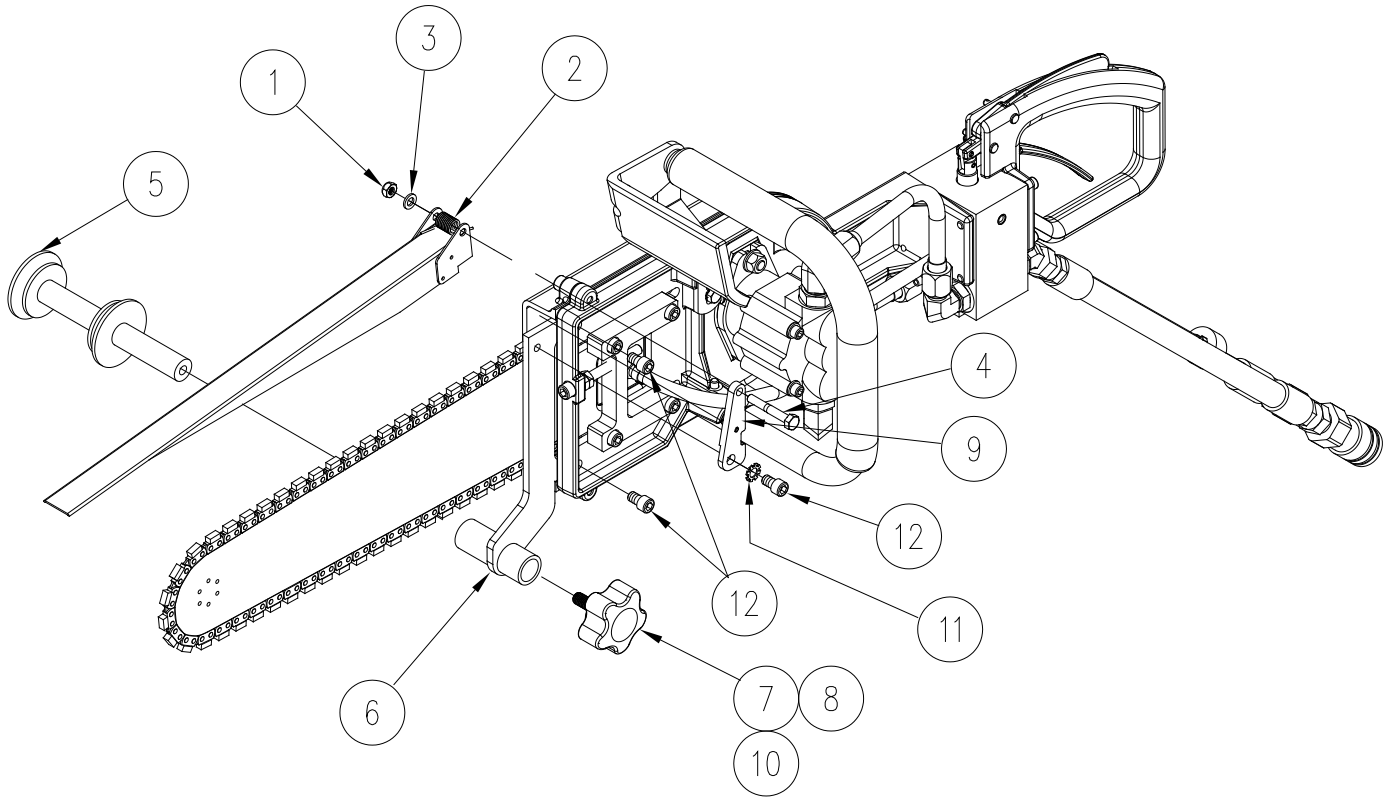
The troubleshooting guide for problems related directly to the C150 Hydracutter is in the instruction manual specifically for this unit.

<b>SYMPTOM</b>	<b>CAUSE AND CORRECTIVE ACTION</b>
Axle knob is loose.	Lock washer missing or installed properly.
Poor cutting performance.	Speedhook not securely fastened to the wall—insure mounting anchors have not loosened from concrete. If track becomes loose, Speedhook will not cut straight.
Difficulty indexing.	Saw is running below speed—keep the saw running at full rpm while indexing. Index before the saw rotates fully 90° into the wall.

## 5 PARTS LIST

Each item number on this parts list can be matched with the item number shown on the Figure 5-1 assembly drawing.

Item Number	Part Number	Quantity	Description
1	5806366	1	NUT HEX TOPLOCK 1/4-20 CZP
2	1970551	1	SPLASH GUARD
3	5806393	1	WASHER FLAT SAE 1/4 CZP
4	5806210	1	HHCS 1/4-20 X 1-3/4 CZP
5	1970550	1	AXLE
6	1900725	1	MOUNTING BRACKET
7	5806401	1	WASHER
8	5806402	1	WASHER SPLIT LOCK
9	1970555	1	GUARD BRACKET
10	1970559	1	KNOB
11	5806402	1	WASHER FLAT EXT TOOTH 5/16 CZP
12	5806307	3	SHCS 5/16-18 X 1/2
13	1970554	1	42" RAIL



**Figure 5-1**  
**C150 Speedhook Assembly Drawing**

## **LIMITED PRODUCT WARRANTY**

**Reimann & Georger Corporation  
Hoisting and Construction Products**

### **A. LIMITED WARRANTY**

Reimann & Georger Corporation (the "Manufacturer") warrants to the original purchaser (the "Buyer") that all Reimann & Georger Hoisting and Construction products shall be free of defects in material and workmanship for a period of one (1) year from date of original purchase.

### **B. MANUFACTURER'S OBLIGATIONS**

The Manufacturer's sole obligation under this Limited Warranty is the repair or, at the Manufacturer's discretion, the replacement of parts found to be defective. Parts and equipment must have authorization from the Manufacturer prior to return to the Manufacturer or repair by an authorized service person. Costs of transportation and other expenses connected with replacing or repairing parts are not covered under this Limited Warranty.

### **C. PARTS MANUFACTURED BY OTHERS**

This Limited Warranty does not cover any parts manufactured by others. Such parts are subject to the warranty, if any, of their respective manufacturers, and are to be repaired only by a respective authorized service person for such parts. The Manufacturer shall have no obligation to undertake repairs of parts manufactured by others.

### **D. NO SPECIAL, INCIDENTAL, OR CONSEQUENTIAL DAMAGES**

**IN NO EVENT SHALL THE MANUFACTURER BE LIABLE TO THE BUYER OR ANY OTHER PERSON FOR ANY INDIRECT, SPECIAL, INCIDENTAL OR CONSEQUENTIAL LOSSES OR DAMAGES CONNECTED WITH THE USE OF THE PRODUCT UNDER THIS LIMITED WARRANTY. SUCH DAMAGES FOR WHICH THE MANUFACTURER SHALL NOT BE RESPONSIBLE INCLUDE, BUT ARE NOT LIMITED TO, LOST TIME AND CONVENIENCE, LOSS OF USE OF THE PRODUCT, THE COST OF A PRODUCT RENTAL, COSTS OF GASOLINE, TELEPHONE, TRAVEL, OR LODGING, THE LOSS OF PERSONAL OR COMMERCIAL PROPERTY, AND THE LOSS OF REVENUE.**

### **E. NO LIABILITY IN EXCESS OF PURCHASE PRICE**

**IN NO EVENT SHALL THE MANUFACTURER'S OBLIGATIONS UNDER THIS LIMITED WARRANTY EXCEED THE PURCHASE PRICE OF THE PRODUCT.**

### **F. NO EXTENSION OF STATUTE OF LIMITATIONS**

**ANY REPAIRS PERFORMED UNDER THIS WARRANTY SHALL NOT IN ANY WAY EXTEND THE STATUTES OF LIMITATIONS FOR CLAIMS UNDER THIS LIMITED WARRANTY.**

### **G. WAIVER OF OTHER WARRANTIES**

**THE EXPRESS WARRANTIES SET FORTH IN THIS LIMITED WARRANTY ARE IN LIEU OF AND EXCLUDE ANY AND ALL OTHER WARRANTIES, EXPRESS OR IMPLIED, INCLUDING, BUT NOT LIMITED TO, THE IMPLIED WARRANTIES OR MERCHANTABILITY AND FITNESS FOR A PARTICULAR PURPOSE.**

### **H. PROCEDURE FOR WARRANTY PERFORMANCE**

If the product fails to perform to the Manufacturer's specifications, the Buyer must provide the Manufacturer with the applicable model and serial numbers, the date of purchase, and the nature of the problem.

**I. ADDITIONAL EXCLUSIONS FROM THIS LIMITED WARRANTY. THIS LIMITED WARRANTY DOES NOT COVER ANY OF THE FOLLOWING:**

1. Equipment which has been abused, damaged, used beyond rated capacity, or repaired by persons other than authorized service personnel.
2. Damage caused by acts of God which include, but are not limited to, hailstorms, windstorms, tornadoes, sandstorms, lightning, floods, and earthquakes.
3. Damage under conditions caused by fire or accident, by abuse or by negligence of the user or any other person other than the Manufacturer, by improper installation, by misuse, by incorrect operation, by "normal wear and tear", by improper adjustment or alteration, by alterations not completed by authorized service personnel, or by failure of product parts from such alterations.
4. Costs of repairing damage caused by poor or improper maintenance, costs of normally scheduled maintenance, or the cost of replacing any parts unless done as the result of an authorized repair covered by the one (1) year Limited Warranty.
5. Costs of modifying the product in any way once delivered to the Buyer, even if such modifications were added as a production change on other products made after the Buyer's product was built.

**J. NO AUTHORITY TO ALTER THIS LIMITED WARRANTY**

No agent, representative, or distributor of the Manufacturer has any authority to alter the terms of this Limited Warranty in any way.