



FS20 HYDRASAW INSTRUCTIONS

REIMANN & GEORGER CORPORATION
CONSTRUCTION PRODUCTS
P/N 6122066

BUFFALO, NY
05/20/16

TABLE OF CONTENTS

CHAPTER	TITLE	PAGE
1	SAFETY	1
1.1	Introduction	1
1.2	Safety Definitions	1
1.3	Power Source and Saw Safety Labels	1
1.4	FS20 Saw Safety Rules	1
2	SPECIFICATIONS	3
2.1	Introduction	3
2.2	FS20 Technical Data	3
2.3	Blade Performance Requirements	4
2.4	Hydraulic Power Source Requirements.....	4
2.5	Recommended Hydraulic Oil	4
2.6	Nameplate and Serial Number Tag.....	5
3	OPERATION.....	6
3.1	Component Pre-Start Checks.....	6
3.1.1	Hydraulic System	6
3.1.2	Flanges and Blade.....	6
3.2	Upright Handle and Ball Transfer Installation	7
3.3	Starting the System.....	9
3.4	Cutting Procedure.....	10
3.5	Shutdown and Storage.....	10
4	INSPECTION AND MAINTENANCE	12
4.1	General Maintenance Rules.....	12
4.2	Daily Inspection and Maintenance	12
4.3	Blade Removal and Installation.....	12
4.3.1	Blade Removal	12
4.3.2	Blade Installation.....	12
4.4	Arbor Flange Removal and Installation.....	13
4.4.1	Arbor Flange Removal	13
4.4.2	Arbor Flange Installation.....	13
5	TROUBLESHOOTING.....	14
5.1	Locating the Problem Area.....	14
5.2	Troubleshooting the Saw	14
6	PARTS LIST.....	17

LIST OF FIGURES

FIGURE	DESCRIPTION	PAGE
2-1	Typical FS20 Product Nameplate.....	5
3-1	Disassembly of Hand Saw	7
3-2	Assembly of Long Handle Kit.....	7
3-3	Assembly of Long Handle Kit (cont'd).....	8
3-4	Assembly of Long Handle Kit (cont'd).....	8
3-5	Assembly of Long Handle Kit (cont'd).....	9
6-1	FS20 Hand Saw Complete Assembly.....	21
6-2	FS20 Saw Long Handle Kit.....	22

1 SAFETY

1.1 INTRODUCTION

Your Reimann & Georger Corporation FS20 HydraSaw has been engineered to provide sawing performance, long term economics and safety advantages that no other type can match. However, even a well-designed and well-built saw can malfunction or become hazardous in the hands of an inexperienced and/or untrained user. Therefore, read this manual and related equipment manuals thoroughly before operating your saw to provide maximum safety for all operating personnel, and to get the maximum benefit from your equipment.

1.2 SAFETY DEFINITIONS

A safety message alerts you to potential hazards that could injure you or others or cause property damage. The safety messages or signal words for product safety signs are **DANGER**, **WARNING**, and **CAUTION**. Each safety message is preceded by a safety alert symbol and is defined as follows:

DANGER: Indicates an imminently hazardous situation which, if not avoided, **will** cause death or serious injury. This safety message is limited to the most extreme situations.

WARNING: Indicates a potentially hazardous situation which, if not avoided, **could** result in death or serious injury.

CAUTION: Indicates a potentially hazardous situation which, if not avoided, **may** result in minor or moderate injury. It may also be used to alert against unsafe practices that may result in property-damage-only accidents.

1.3 POWER SOURCE AND SAW SAFETY LABELS

These labels warn you of potential hazards that could cause injury. Read them carefully. If a label comes off or becomes illegible, contact Reimann & Georger Corporation for a free replacement.

1.4 FS20 SAW SAFETY RULES

1. Only trained personnel shall operate the saw or perform repairs. A trained person is one who has read and thoroughly understands this instruction manual and related equipment manuals and, through training and experience, has shown knowledge regarding the safe operational procedures.
2. Sawing area must be kept clear of unauthorized personnel at all times. Place barricades or secure the area with signs and a roped boundary to prevent personnel injury.
3. Never use the saw in an explosive atmosphere and/or near combustible material that could be ignited by a spark.
4. Do not use a saw that shows any signs of damage. Do not use the saw if the blade does not stop rotating when the power-activating trigger lever is released.
5. The guard provides protection against contact with moving parts, ejected debris, and during wet cutting operations, thrown water and concrete slurry. If not cutting flush to another surface, do not run the saw without the blade guard in place.
6. Never allow anyone to stand in front of, or in line with, the blade forward of the guard.
7. Always use blades that meet applicable safety code specifications. Read and comply with blade manufacturer's instructions and safety precautions provided with the blade. Destroy any blade with cracks, chips, gouges, loose or missing tips.

8. **Always** use safety footwear, safety goggles or face shields, and hearing and head protection devices. Safety shoes **MUST** provide good footing to prevent slipping or falling down. Gloves protect the hands from chips and should be worn. During dry cutting operations, provide also adequate ventilation or approved NIOSH or MSHA respirators in closed areas to avoid breathing dust. During wet cutting operations, use also a snug fitting wet suit. If using the saw auxiliary handle in a two-person operation, **both** persons must wear all the safety equipment described above.
9. Do not use the saw when you are tired or fatigued.
10. Never operate the saw under the influence of drugs, alcohol, or medication.
11. Always carry the saw in its de-energized state.
12. Keep the saw handles dry, clean, and free of oil or fuel.
13. This saw is not insulated. Do not start cutting without first de-energizing electrical wiring near the cutting site or imbedded in any concrete.
14. Prior to cutting, plan your cuts to prevent pinching of the blade or personnel injury from falling material.
15. Always hold the saw with all available handles during operation. Use a firm grip on the handles.
16. Never exceed the maximum flow and pressure rating of the saw which is 10 gpm at 2500 psi.
17. Do not exceed either the maximum operating speed of 2400 rpm for the FS20 saws or the blade manufacturer's rated speed.
18. Do **NOT** attempt to adjust the saw during operation.
19. Keep clothing and all parts of the body away from moving parts of this saw when connected to a power source or being used.
20. Any slurry formed during wet cutting operations is very slick. Remove while still wet to prevent yourself or others from slipping while cutting. Slurry that has been allowed to dry is very difficult to remove.
21. Always shut off the hydraulic power and cooling water sources before disconnecting the hoses or servicing the saw. Never remove fittings or components when hydraulic fluid is hot.
22. Always shut off the hydraulic and cooling water sources when not using the equipment.

2 SPECIFICATIONS

2.1 INTRODUCTION

Your Reimann & Georger Corporation FS20 hydraulic direct drive HydraSaw is a rugged versatile saw that cuts cleanly, fast, precisely, and straight through concrete, steel, stone, composition material, or hard fiber when equipped with the appropriate diamond blade. The flush design of the saw allows cuts to be made right up against a wall or an obstruction. The saw is equipped with a guard face, water hose connection for wet cutting and 12-inch long hose whips. As with most hydraulic tools, the hydraulic system requirements detailed in the following sections must be met to support tool performance and longevity of equipment.

The following features are provided:

- 12-inch hose whips
- 1" arbor & (6)5/16" bolts on 3.5" bolt circle blade mounting
- Trigger actuated water supply

2.2 FS20 TECHNICAL DATA

	ENGLISH	METRIC
Hand Held Tool Physicals		
Weight	45 lbs.	(20.25 kg.)
Length (w/o blade)	25 in.	(635 mm)
Width	6 in.	(1153 mm)
Height (w/o blade)	13in.	(330 mm)
Height (w/ blade)	22 in.	(559 mm)
Maximum Blade Diameter	20 in.	(508 mm)
Arbor Diameter	1 in.	(25 mm)
Broom Handle Flush Cut Tool Physicals		
Weight	67.5 lbs.	(30.38 kg.)
Length (w/o blade)	28 in.	(712 mm)
Length (w/ Blade)	36 in.	(915 mm)
Width	31 in.	(77 mm)
Height	37 in.	(940 mm)
Maximum Blade Diameter	20 in.	(508 mm)
Arbor Diameter	1 in.	(25 mm)
Hydraulic Requirements		
Type of System		Open-Center
Flow Rate	5-8 gpm	(19-30 lpm)
Maximum Pressure Range	2000-2500 psi	(138-172 bar)
Maximum Pressure Relief Setting	2500 psi	(172 bar)
Filtration		10 microns (nominal)
Back Pressure (Max)	78 psi	(5.5 bar)
Hose Length (Max)	100 ft.	(30 m)
Couplings		1/2" HTMA flush face

Water Requirements for Wet Cutting

Use the flow and pressure recommended by the blade manufacturer

Operation

Speed @ 5 gpm	1140 rpm
@ 6 gpm	1375 rpm
@ 7 gpm	1600 rpm
@ 8 gpm	1830 rpm

Cutting Depth 8 in. (203 mm)

2.3 BLADE PERFORMANCE REQUIREMENTS

Any blade from your supplier must meet the following design criteria. **Using blades on this saw that don't meet these requirements can cause equipment damage and/or personal injury.**

1. Use blades that meet applicable industrial safety code specifications.
2. Use blades that are approved by the blade manufacturer for the material to be cut.
3. Use approved dry cutting type blades in dry cutting operations and approved wet cutting type blades in wet cutting operations.
4. Do not exceed the maximum operating speed of 2400 rpm for the FS20, or the blade manufacturer's rated speed. Blades must be speed tested to ANSI B7.1 safety code specifications.

2.4 HYDRAULIC POWER SOURCE REQUIREMENTS

The hydraulic power source must meet the following design criteria.

1. The flow must not exceed 10 gpm and the pressure relief valve must not exceed 2500 psi. **Failure to comply could cause excessive blade rpm and/or overpressurizing the system, resulting in equipment damage and/or personal injury.**



WARNING:

NEVER EXCEED 10 GPM FLOW. BLADE FAILURE MAY RESULT DUE TO EXCESSIVE SPEED.

2. The hydraulic power source must meet the hydraulic requirements of Sections 2.2.

2.5 RECOMMENDED HYDRAULIC OIL

Viscosity	140-225 SUS @ 100°F	(28-45 cSt @ 38°C)
	40 min. SUS @ 210°F	(8 min. cSt @ 99°C)
Flash Point	340°F min.	(170°C min.)
Pour Point	-30°F min.	(-34°C min.)

Many types of compatible hydraulic oil are available through your local dealer/distributor. As an original equipment manufacturer, RGC uses a Grade ISO VG 32 hydraulic turbine oil.

Hydraulic oil types are too numerous to list in this manual. If you have any question concerning the type of oil suitable for HydraSaw operation, please consult your local supplier or Reimann & Georger Corporation for details.

2.6 NAMEPLATE AND SERIAL NUMBER TAG

It is important to identify the saw completely and accurately whenever ordering spare parts or requesting assistance in service. The saw has a product nameplate that states the model and serial numbers. The saw label should appear as the sample nameplate shown in Figure 2-1. Record the model and serial numbers for future reference.

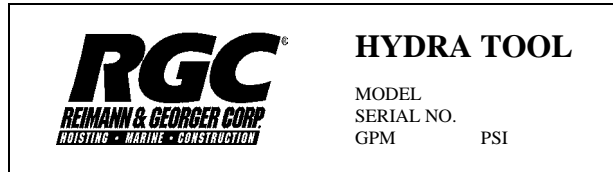


Figure 2-1.
Typical FS20 Product Nameplate

MODEL _____

SERIAL NUMBER _____

3 OPERATION

Follow all the safety procedures in Chapter 1 of this manual and in the manual supplied with your hydraulic power unit. **Failure to do this can cause equipment damage and/or personal injury.** Make sure you are wearing all your safety equipment including approved NIOSH or MSHA respirators during dry cutting or a wet suit during wet cutting.

3.1 COMPONENT PRE-START CHECKS

The following components must be checked before you can use the saw safely. Running the saw with an undetected defect in any of these components will quickly cause equipment damage.

1. Hydraulic system
2. Flanges and blade

3.1.1 Hydraulic System

1. Before making any hydraulic connections, inspect all hoses for leaks and risks of rupture as follows:
 - a. Inspect each hose for breaks, cracks, worn spots, bulges, chemical attack, kinks or any other damage. Never stop any detected leak with your hand or fingers. Do not put your face close to suspected leaks. Hold a piece of cardboard close to suspected leaks and then inspect the cardboard for signs of hydraulic oil.
 - b. Replace a damaged hose immediately. Never repair the hose.
2. Connect the return (tank) line from the saw return port to the hydraulic power source return port. Then connect the pressure line from the saw pressure port to the hydraulic power source pressure port. Clean fittings before making connections to prevent contamination of hydraulic system.
3. Pressure relief valve must not exceed 2500 psi. The pressure relief valve must be located in the supply circuit between the power supply and tool to limit excessive hydraulic pressure to the tool.

3.1.2 Flanges and Blade

1. Inspect the flush cut arbor flange for gouges, hairline cracks, and wear. Replace these flanges immediately if any of these conditions are present as described in Chapter 4.
2. Be sure flange is clean and straight so blade will run true.
3. Always use the blade recommended by the blade manufacturer for your application. Use approved dry cutting type blades in dry cutting operations and approved wet cutting type blades in wet cutting operations.
4. Inspect the blade for cracks, chips, gouges, or loose or missing tips. Destroy the blade if any of these conditions are present.
5. Ensure a blade is installed to blade manufacturer's specified direction of rotation. Saw rotation is clockwise as viewed from the blade side of the saw.

3.2 LONG HANDLE AND BALL TRANSFER INSTALLATION

The long handle assembly and ball transfers for the FS20 saw provide ease of cutting in the horizontal plane and when cutting flush against the ground.

1. Ensure the hydraulic and cooling water sources are shut off before proceeding.
2. **Refer to figure 3-1.** Disconnect the quick disconnects for the hydraulic lines (items #21 and #22). Disconnect the water line from the quick disconnect on the motor and guard body (item #36). Remove the handsaw handle assembly by removing (2) 1/4-20 hex head cap screws (item #10). Remove the guard face from the guard body (item #30) by removing 3/8-16 hex nut (item #38) and (2) 5/16-18 hex head cap screws and hex nuts (items #37 and #42).

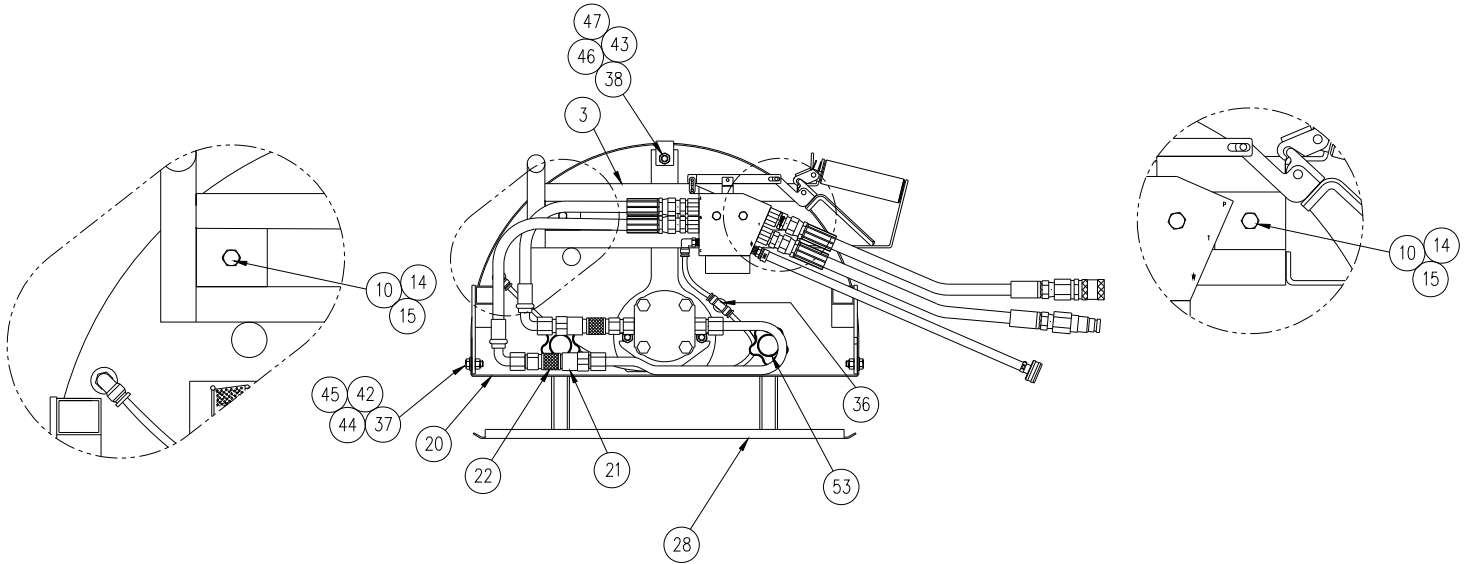


Figure 3-1
Disassembly of Hand Saw

3. **Refer to figure 3-2.** Attach the long handle brace (item #61) to the long handle assembly (item #54) and fasten into place using provided hardware (items #10 and #12).

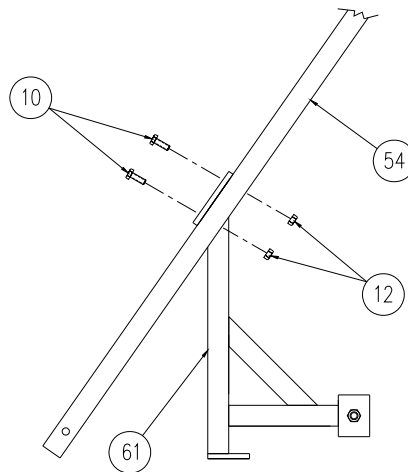


Figure 3-2
Assembly of Long Handle Kit

Refer to figure 3-3. Slide the two legs of the long handle (item #54) into the angled mounts on the back of the long handle motor and guard assembly and place the hole of the long handle brace onto the threaded stud (item #38). Fasten the legs into the mounts using two clevis pins. Fasten the long handle brace to the long handle motor and guard assembly using a 3/8 hex nut (item #43).

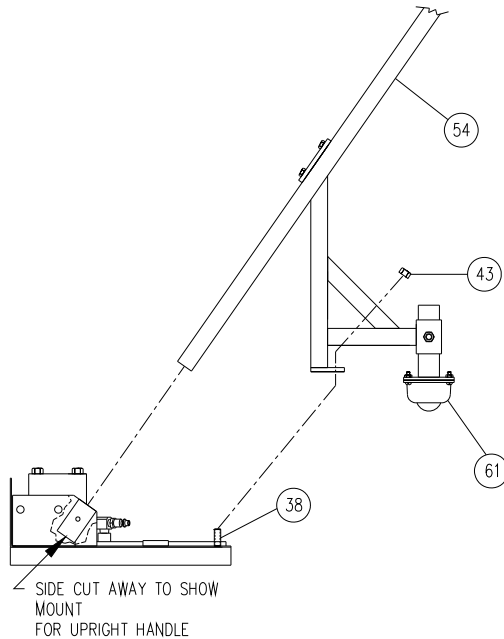


Figure 3-3
Assembly of Long Handle Kit (cont'd)

4. **Refer to figure 3-4.** Attach the outer ball transfer mount (item #62) to the sides of the long handle motor and guard assembly (item #30) using the provided hardware (items #37, #42 and #43) and slide side ball transfer mount assemblies (item #60) into outer ball transfer mounts (item #62). Slide rear ball transfer mount assembly (item #61) into rear ball transfer mount located on long handle brace (item #61). Screw the 2 hand knobs (item #53) into the outer ball transfer mounts (item #48). Screw the remaining hand knob (item #53) into the rear ball transfer mount located on the long handle brace (item #61). Adjust to desired height and fasten in place by tightening the hand knobs (item #53).

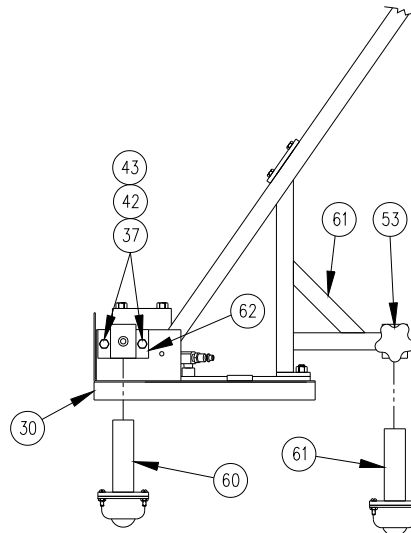


Figure 3-4
Assembly of Long Handle Kit (cont'd)

5. **Refer to figure 3-5.** Connect hydraulic and water lines. Connect the water line (item #57) to the “tee” (item #36) on the guard body (item #30). Connect male JIC coupling (item #21) on the pressure side hose (item #55), to the female JIC coupling (item #22) on the guard body. Connect Female JIC coupling (item #22) on the tank side hose (item #56), to the male JIC coupling (item #21) on the guard body.

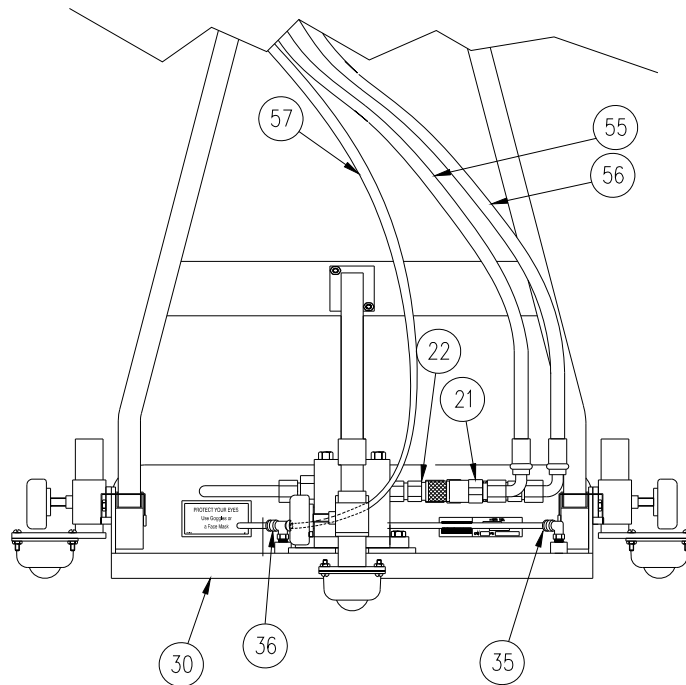


Figure 3-5
Assembly of Long Handle Kit (cont'd)

3.3 STARTING THE SYSTEM

1. This saw is not insulated. Do not start cutting without first checking for live electrical wiring near the cutting site, or imbedded in the cutting medium. If power lines are unavoidable, consult your power company before starting operation.
2. The following precautions must be observed when lifting the saw:
 - a. Be sure of your footing.
 - b. Bend your knees and lift with your legs.
 - c. Keep hands off trigger to avoid accidental operation.
3. Ensure the power supply is turned off.



WARNING:

THE GUARD PROVIDES PROTECTION AGAINST CONTACT WITH MOVING PARTS, EJECTED DEBRIS, AND DURING WET CUTTING OPERATIONS, THROWN WATER AND CONCRETE SLURRY. NEVER RUN THE SAW WITHOUT THE BLADE GUARD IN PLACE, UNLESS CUTTING FLUSH TO A SURFACE.

4. Always check the hydraulic flow and pressure rating of the hydraulic power unit before using to prevent equipment damage. Do not exceed the maximum hydraulic flow rate and pressure of 10 gpm (30 lpm) and 2500 psi (172 bar). Overspeeding the blade can cause equipment damage and possible personal injury.

5. Check that the pressure and return hoses are connected properly to the saw and hydraulic power source as described in Section 3.1.1.
6. Before starting your power supply, read and fully understand the operating manual provided.
7. Use caution when handling fuel for a gasoline engine driven hydraulic power source. Move the hydraulic power source at least 10 feet from the fueling point before starting the engine. Make sure the gas caps on the hydraulic power source and fuel can are properly tightened.

3.4 CUTTING PROCEDURE

1. Provide rigid support and “hold down” of piece being cut—both sides of the cut, if practical.
2. If using the hand saw, grasp trigger with right hand and one of the front handles with left hand for operation.
3. If using the upright saw, grasp handle with left hand and trigger handle with right hand.
4. Position the saw in the appropriate place to make the desired cut.
5. Disengage the trigger lockout. Then depress (squeeze) the trigger to start the saw. Never exceed the maximum operating speed of 1900 rpm for the FS20 saw, or the blade manufacturer’s rated speed.
6. Feed the rotating blade into the work surface using a straight, steady, constant pressure. Do NOT “bump,” jam or force the blade into the work surface, or twist the blade in the cut. This can cause equipment damage.



WARNING:

ALWAYS START AND FINISH A SAW CUT WITH THE SAME WIDTH OF BLADE. IF BLADE TYPE OR WIDTH IS CHANGED, START A NEW SAW CUT. FAILURE TO DO THIS CAN CAUSE EQUIPMENT DAMAGE AND/OR PERSONAL INJURY.

3.5 SHUTDOWN AND STORAGE

1. To stop the saw, release the trigger.
2. AFTER the blade has stopped rotating, lay the saw on a flat surface.
3. Stop the hydraulic power source following the procedure in the respective instruction manual.
4. Shut off water supply.



CAUTION:

ALWAYS SHUT OFF THE COOLING WATER WHEN THE TOOL IS NOT IN USE. LEAVING THE WATER RUNNING UNATTENDED CAN CAUSE EQUIPMENT OR PROPERTY DAMAGE.

5. Clean concrete slurry and debris off saw and ball transfers. Once concrete slurry is dry, it is very hard to remove and may hamper the operation of moving parts.
6. Disconnect the hoses from the saw.



WARNING:

NEVER DISCONNECT ANY HYDRAULICALLY OPERATED PART OF THE SAW OR REMOVE HYDRAULIC COMPONENTS, LINES, OR FITTINGS WHILE THE POWER SOURCE IS RUNNING OR WHENEVER THE HYDRAULIC FLUID IS HOT.

LIQUID UNDER HIGH PRESSURE CAN PIERCE THE SKIN, CAUSING SERIOUS INJURY OR DEATH. HOT LIQUID CAN CAUSE SERIOUS PERSONAL BURNS. IF AN INJURY OCCURS, GET IMMEDIATE MEDICAL ATTENTION.

7. Secure the saw and hydraulic power source to prevent unauthorized use.
8. Store the saw in a clean, dry area away from exposure to high heat and humidity, water, other liquids, or freezing temperatures. Avoid temperatures low enough to cause condensation on the blade when moving it from storage to a higher temperature. Always handle and store blades carefully.
9. Do not stack material on top of the saw that may cause the blade to bend or deform.

4 INSPECTION AND MAINTENANCE

4.1 GENERAL MAINTENANCE RULES

1. Proper maintenance of the saw and related equipment requires timely adhering to all the guidelines given in this chapter. Proper maintenance is required to maintain the system in good condition and free of defects.
2. Review and follow all the safety rules given in Chapter 1 before attempting any maintenance.
3. Before starting any maintenance always wear appropriate personal safety equipment.
4. Repairs must be made only by trained personnel. A trained person is one who has read and thoroughly understands this instruction manual and related equipment manuals and, through training and experience, has shown knowledge regarding the safe operational procedures.
5. Disconnect the cooling water and power supplies before starting.



WARNING:

FAILURE TO DISCONNECT THE POWER SUPPLY BEFORE STARTING CAN CAUSE EQUIPMENT DAMAGE AND/OR PERSONAL INJURY.

6. Hydraulic fluid can become contaminated after extended periods of use which can cause restrictions in the system. Check to see that the fluid is clean and change at recommended intervals to extend saw's life. Refer to the respective manual for maintenance information on the hydraulic power source.

4.2 DAILY INSPECTION AND MAINTENANCE

1. Inspect the blade mounted on the saw. Remove and destroy blade if any cracks, chips, gouges, or loose or missing segments are present. Failure to do this can cause personal injury.
2. Inspect the hydraulic system hoses and fittings as described in Section 3.1.1. Failure to do this can cause personal injury. Never try to repair a damaged hose. Replace it immediately.
3. Wipe all tool surfaces clean of dirt and foreign material.
4. Clean slurry off of saw and ball transfers after every use.

4.3 BLADE REMOVAL AND INSTALLATION

4.3.1 Blade Removal(Hand Held Flush Saw only)

1. Using a 3/16" allen wrench, loosen and remove the six 5/16" socket flat head screws.
2. Remove the blade from the arbor shaft.

4.3.2 Blade Installation

1. Inspect the flush cut arbor flange for gouges, warps, nicks, hairline cracks, wear, dirt, or sprung condition. Replace the arbor flange immediately if any of these conditions are present as described in Section 4.4.
2. Any blade to be installed must comply with all the safety information and specifications listed in Chapter 2. Destroy any damaged blade as described in Section 4.2.

**CAUTION:**

DO NOT FORCE A BLADE ONTO THE ARBOR FLANGE OR USE A BLADE THAT FITS THE ARBOR TOO LOOSELY. NEVER ALTER THE SIZE OF THE ARBOR HOLE. THE BLADE MUST FIT THE ARBOR FLANGE PROPERLY.

5. Inspect the flush cut arbor flange for gouges, warps, nicks, hairline cracks, wear, dirt, or sprung condition. Replace the flange immediately if any of these conditions are present.
6. Install the blade onto the 1" diameter arbor.
7. Thread the six 5/16" flat head screws onto the flange. Tighten using a 3/16" allen wrench. Be sure the bolts are tightened securely.

4.4 ARBOR FLANGE REMOVAL AND INSTALLATION**CAUTION:**

DO NOT STRIKE THE ARBOR FLANGE WITH A HAMMER OR OTHER SIMILAR TOOL WHEN PULLING IT OFF OR INSTALLING IT ON THE MOTOR SHAFT. THE ARBOR FLANGE OR MOTOR COULD BE DAMAGED.

4.4.1 Arbor Flange Removal

1. Remove the blade from the arbor shaft as described in Section 4.3.1.
2. Loosen the 2 set screws that secure the arbor flange to the motor shaft.
3. Pull off arbor flange, using a gear puller if necessary. Never use a hammer or other object to impact the arbor flange.

4.4.2 Arbor Flange Installation

1. Ensure the arbor flange fits snugly on the motor shaft. Then remove the arbor flange from the motor shaft.
2. Apply Loctite RC609 or equivalent on the motor shaft. Follow the manufacturer's instructions for curing. Install the arbor flange on the motor shaft.
3. Tighten the 2 set screws in the arbor flange securely.
4. Re-install the blade on the arbor shaft as described in Section 4.3.2.

5 TROUBLESHOOTING

5.1 LOCATING THE PROBLEM AREA

If the saw does not operate, the problem is either in the saw, the hoses, or the power supply. Locate the problem area as follows:

1. Stop the power supply.
2. Disconnect the existing saw from the hoses and power supply.
3. Connect a known working saw to the hoses and power supply. Refer to this manual for the proper hook-up procedure.
 - a. If the known working saw operates, the problem is in the disconnected saw. See the troubleshooting chart in Section 5.2.
 - b. If the known working saw does not operate, the problem is probably in the hose or power supply. Proceed to Step 4.
4. Stop the power supply.
5. Disconnect the existing hoses from the known working saw and power supply.
6. Connect a different set of hoses to the known working saw and power supply.
 - a. If the known working saw operates with the different set of hoses, the problem is in the disconnected hoses.
 - b. If the known working saw does not operate, the problem is in the power supply. See the power supply operating manual for troubleshooting.

5.2 TROUBLESHOOTING THE SAW

The following chart is intended to assist with troubleshooting the FS20 HydraSaw. While not all inclusive, the chart outlines the most common causes of a problem and the recommended course of action.

The troubleshooting guide for the associated power supply is in the instruction manual specifically for this unit.

SYMPTOM	CAUSE	CORRECTIVE ACTION
Saw inoperative.	Saw connected to improper power supply hydraulic system.	See Chapter 2 for type of hydraulic system required. Verify power supply hydraulic system.
	No hydraulic fluid in system or fluid level low.	Check fluid level. Fill to full mark. Check system for leaks.
	Saw parts loose.	Tighten component hardware.
	Dirt or contaminants in saw parts.	Disassemble saw and clean parts.
	Saw parts worn or damaged.	Disassemble saw and replace worn or damaged parts.

Saw operates erratically.	<p>Leak in system.</p> <p>Saw parts sticking or binding.</p> <p>Dirt or contaminants in saw parts.</p>	<p>Tighten fittings. Inspect all hoses for leaks as described in Section 3.1.1. REPLACE A LEAKING HOSE IMMEDIATELY. NEVER TRY TO REPAIR IT.</p> <p>Check for dirt or gummy deposits. Clean parts.</p> <p>Check for worn or damaged parts and replace as required.</p> <p>Be sure flanges are clean and straight so blade will run true on sides. See Chapter 4 for proper blade mounting procedure.</p> <p>Disassemble saw and clean parts.</p>
Saw operates slowly.	<p>Insufficient flow.</p> <p>Hydraulic fluid level low.</p> <p>Hydraulic fluid viscosity too heavy.</p> <p>Saw parts loose.</p> <p>Saw parts worn or damaged.</p>	<p>Refer to power source operator's manual for proper adjustment of flow.</p> <p>Check fluid level. Fill to full mark. Check system for leaks.</p> <p>Use fluid viscosity recommended. See Section 2.6.</p> <p>Tighten component hardware.</p> <p>Disassemble saw and replace worn or damaged parts.</p>
Saw feels hot.	<p>Power source heat exchanger malfunctioning</p> <p>Hydraulic fluid level low.</p> <p>Hydraulic fluid dirty.</p> <p>Excessive flow.</p>	<p>Refer to power source operator's manual.</p> <p>Check fluid level. Fill to full mark. Check system for leaks.</p> <p>Drain reservoir, flush and fill with clean fluid. Change filter.</p> <p>Refer to power source operator's manual for proper adjustment of flow.</p>
Saw leaks hydraulic fluid.	<p>Saw parts loose.</p> <p>Saw parts worn or damaged.</p>	<p>Tighten component hardware.</p> <p>Disassemble saw and replace worn or damaged parts.</p>
Saw control valve sticks or works hard.	<p>Check for dirt or gummy deposits.</p> <p>Misalignment or binding of control linkage.</p> <p>Valve parts damaged.</p>	<p>Clean parts.</p> <p>Correct alignment, lubricate linkage joints, and replace damaged parts.</p> <p>Disassemble valve and replace damaged parts.</p>
Saw operates, but blade does not cut.	<p>Blade installed opposite to manufacturer's cutting rotation.</p> <p>Wrong blade used for material being cut.</p>	<p>Check for correct cutting rotation of blade. If installed incorrectly, remove and install correctly.</p> <p>Install blade recommended by manufacturer for material to be cut.</p>



WARNING:

ANY BLADE FROM YOUR SUPPLIER MUST MEET THE DESIGN CRITERIA LISTED IN CHAPTER 2. USING BLADES ON THIS SAW THAT DON'T MEET THESE REQUIREMENTS CAN CAUSE EQUIPMENT DAMAGE AND/OR PERSONAL INJURY.

6 PARTS LIST

The following parts list applies to the FS20 HydraSaw only. The parts list for the hydraulic power source is in the separate manual supplied for this item. Each item number on the following parts list can be matched with the item number shown on the assembly drawing.

2020404 – SHORT HANDLE UPGRADE see figure 6-1

Item Number	Part Number	Quantity	Description
1	1697502	2	HOSE WHIPS W/O FITTINGS
2	1903120	1	WATER HOSE WHIP
3	2020528	1	FS20 SHORT HANDLE
4	2020534	1	FS20 SHORT HANDLE PRESSURE SIDE HOSE
5	2020537	1	FS20 SHORT HANDLE TANK SIDE HOSE
6	5023960	1	SAW TRIGGER LOCKOUT
7	5023970	1	SAW TRIGGER
8	5611235	1	90 DEG 1/4" TUBE ADAPTER
9	5806140	1	1/2" SS HOSE CLAMP
10	5806206	2	1/4-20 X 3/4" HEX HEAD BOLT
11	5806210	2	1/4-20 X 1-3/4" HEX HEAD BOLT
12	5806366	2	1/4-20 CZP TOPLOCK HEX NUT
13	5806392	2	1/4 USS FLAT WASHER
14	5806393	6	1/4 SAE FLAT WASHER
15	5806394	2	1/4 EXT TOOTH WASHER
16	5806429	2	3/32 COTTER PIN
17	5806757	1	1/4 X 1-1/2 CLEVIS PIN
18	5806759	1	1/4 X 1-3/4 CLEVIS PIN
19	5806792	1	TORQ SPRING
20	5920843	.25 FT	1/4" POLYETHYLENE HOSE
21	6001885	2	1/2" QD COUPLING MALE
22	6001886	2	1/2" QD COUPLING FEMALE
23	6004623	1	3-PORT VALVE W/ FITTINGS
24	6407156	1	1" PLUG
25	6407165	2	HAND GRIP
26	7407160	1	HOSE WASHER W/ FILTER

2020305 - FS20 HAND SAW see figure 6-1

Item Number	Part Number	Quantity	Description
27	2020404	1	FS20 SHORT HANDLE UPGRADE
28	2020546	1	ADJUSTABLE FENCE
29	2020501	1	FACE GUARD
30	2020504	1	GUARD BODY
31	2021220	1	FLUSH ARBOR FLANGE
32	2065209	1	FS20 HYDRAULIC MOTOR
33	5604681	1	1-1/16 SAE X 3/4 JIC ADAPTER
34	5620840	1	7/8 SAE X 3/4 SAE ADAPTER
35	5620869	1	90 DEG 1/4" TUBE ADAPTER
36	5620872	1	"TEE" 1/4" TUBE ADAPTER
37	5806224	2	5/16-18 X 1 HEX HEAD BOLT
38	5806247	1	3/8-16 X 1 HEX HEAD BOLT
39	5806248	2	3/8-16 X 1-1/4 HEX HEAD BOLT
40	5806346	2	1/4-28 X 3/16 SET SCREW
41	5806368	2	3/8-16 TOPLOCK HEX NUT
42	5806375	2	5/16-18 HEX NUT
43	5806377	1	3/8-16 HEX NUT
44	5806401	2	5/16 SAE FLAT WASHER
45	5806402	2	5/16 EXT TOOTH WASHER
46	5806406	1	3/8 SAE FLAT WASHER
47	5806407	1	3/8 EXT TOOTH WASHER
48	5820846	6	5/16-8 X 5/8 FLAT HEAD SCREWS
49	5920843	1.5 FT	1/4" POLYETHYLENE HOSE
21	6001885	1	1/2" QD COUPLING MALE
22	6001886	1	1/2" QD COUPLING FEMALE
50	6020848	1	FS20 HYDRAULIC TUBE
51	6204036	1	RGC SERIAL NUMBER TAG
52	6204696	1	"PROTECT YOUR EYES" DECAL
53	5804650	2	KNOB
	7420209	1	SEAL KIT, FS20 MOTOR CASAPPA

2020414 – MOTOR AND GUARD ASSEMBLY see figure 6-1 and 6-2

Item Number	Part Number	Quantity	Description
21	6001885	1	1/2" QD COUPLING MALE
22	6001886	1	1/2" QD COUPLING FEMALE
28	2020546	1	ADJUSTABLE FENCE
30	2020504	1	GUARD BODY
31	2021220	1	FLUSH ARBOR FLANGE
32	2065209	1	FS20 HYDRAULIC MOTOR
33	5604681	1	1-1/16 SAE X 3/4 JIC ADAPTER
34	5620840	1	7/8 SAE X 3/4 SAE ADAPTER
36	5620872	1	"TEE" 1/4" TUBE ADAPTER
38	5806247	1	3/8-16 X 1 HEX HEAD BOLT
39	5806248	2	3/8-16 X 1-1/4 HEX HEAD BOLT
40	5806346	2	1/4-28 X 3/16 SET SCREW
41	5806368	2	3/8-16 TOPLOCK HEX NUT
43	5806377	1	3/8-16 HEX NUT
46	5806406	1	3/8 SAE FLAT WASHER
47	5806407	1	3/8 EXT TOOTH WASHER
48	5820846	6	5/16-8 X 5/8 FLAT HEAD SCREWS
49	5920843	1.5 FT	1/4" POLYETHYLENE HOSE
50	6020848	1	FS20 HYDRAULIC TUBE
51	6204036	1	RGC SERIAL NUMBER TAG
52	6204696	1	"PROTECT YOUR EYES" DECAL
53	5804650	2	KNOB

2020409 - FS20 LONG HANDLE ASSEMBLY see figure 6-2

Item Number	Part Number	Quantity	Description
1	1697502	2	HOSE WHIPS W/O FITTINGS
2	1903120	1	WATER HOSE WHIP
6	5023960	1	SAW TRIGGER LOCKOUT
7	5023970	1	SAW TRIGGER
8	5611235	1	90 DEG 1/4" TUBE ADAPTER
9	5806140	1	1/2" SS HOSE CLAMP
11	5806210	2	1/4-20 X 1-3/4" HEX HEAD BOLT
12	5806366	2	1/4-20 CZP TOPLOCK HEX NUT
13	5806392	2	1/4 USS FLAT WASHER
14	5806393	4	1/4 SAE FLAT WASHER
16	5806429	2	3/32 COTTER PIN
17	5806757	1	1/4 X 1-1/2 CLEVIS PIN
18	5806759	1	1/4 X 1-3/4 CLEVIS PIN
19	5806792	1	TORQ SPRING
21	6001885	2	1/2" QD COUPLING MALE
22	6001886	2	1/2" QD COUPLING FEMALE
23	6004623	1	3-PORT VALVE W/ FITTINGS
26	7407160	1	HOSE WASHER W/ FILTER
54	2020510	1	LONG HANDLE
55	2020516	1	LONG HANDLE PRESSURE HOSE
56	2020519	1	LONG HANDLE TANK HOSE
57	5920843	3.3 FT	1/4" POLYETHYLENE HOSE
58	6403921	2	1" SQUARE PLUG
	2020315	1	LONG HANDLE BRACE CARTON OF PARTS
53	5804650	3	KNOB
59	2020419	1	REAR BALL TRANSFER MOUNT ASSEMBLY
60	2020424	2	SIDE BALL TRANSFER MOUNT ASSEMBLY
61	2020513	1	LONG HANDLE BRACE
62	2020522	2	OUTER BALL TRANSFER MOUNT
	2020429	1	LONG HANDLE BRACE BAG OF BOLTS
10	5806206	2	1/4-20 X 3/4" HEX HEAD BOLT
12	5806366	2	1/4-20 CZP TOPLOCK HEX NUT
37	5806224	4	5/16-18 X 1 HEX HEAD BOLT
42	5806375	4	5/16-18 HEX NUT
43	5806402	4	5/16 EXT TOOTH WASHER
63	5800142	2	5/16 SQUARE SNAP CLEVIS PIN

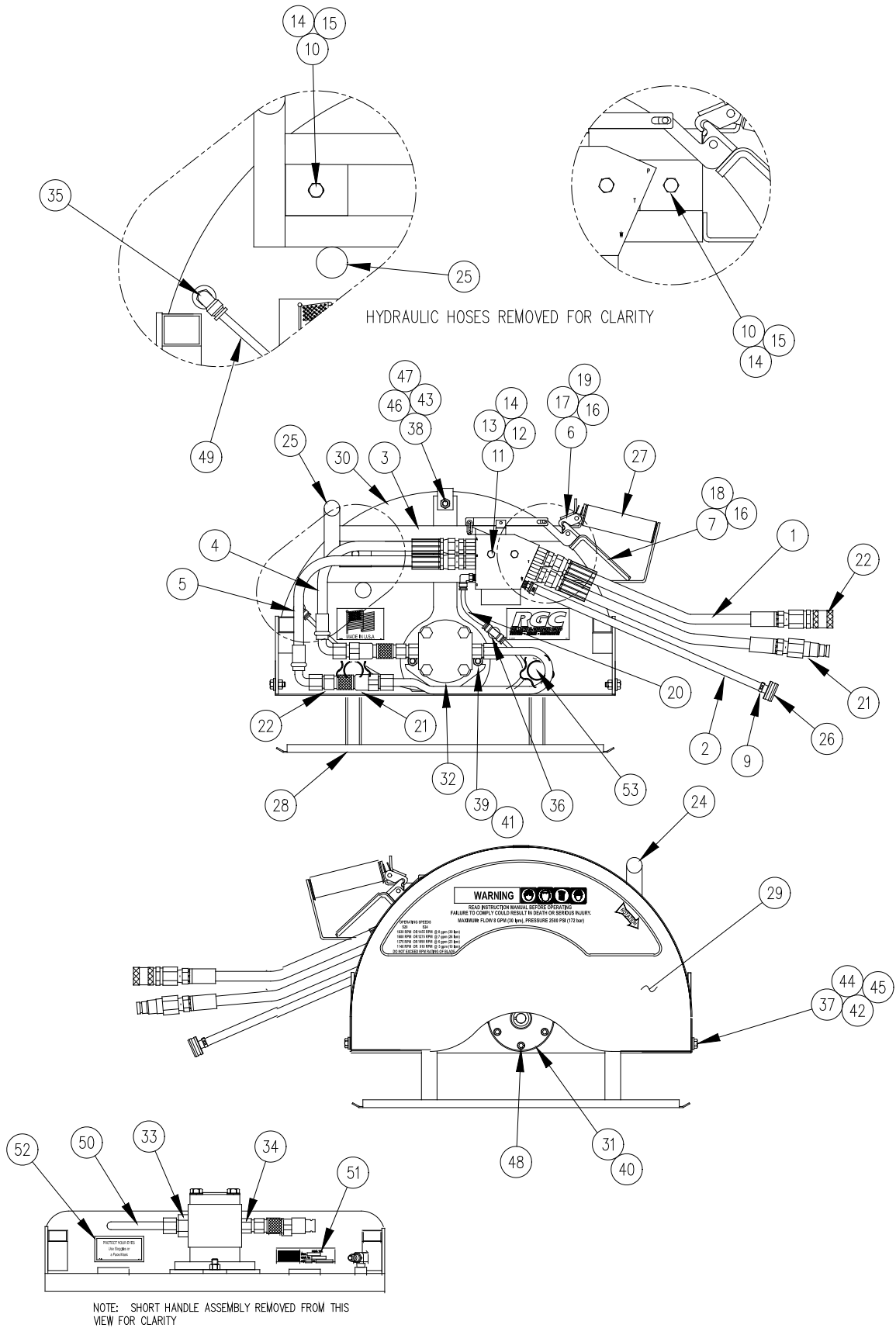


Figure 6-1.
FS20 Hand Saw Complete Assembly

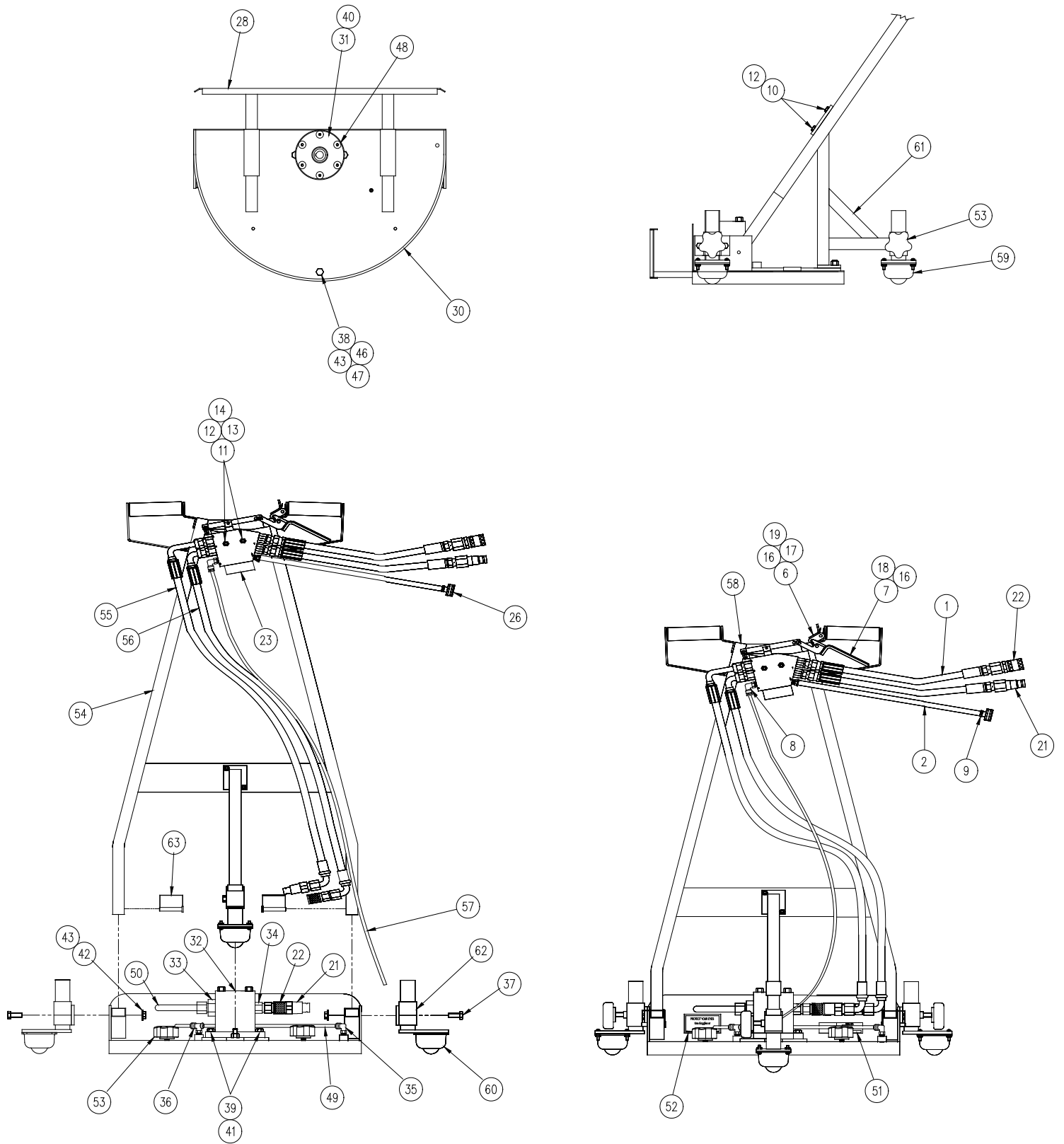


Figure 6-2
FS20 Saw With Long Handle Kit

LIMITED PRODUCT WARRANTY

**Reimann & Georger Corporation
Hoisting and Construction Products**

A. LIMITED WARRANTY

Reimann & Georger Corporation (the “Manufacturer”) warrants to the original purchaser (the “Buyer”) that all Reimann & Georger Hoisting and Construction products shall be free of defects in material and workmanship for a period of one (1) year from date of original purchase.

B. MANUFACTURER’S OBLIGATIONS

The Manufacturer’s sole obligation under this Limited Warranty is the repair or, at the Manufacturer’s discretion, the replacement of parts found to be defective. Parts and equipment must have authorization from the Manufacturer prior to return to the Manufacturer or repair by an authorized service person. Costs of transportation and other expenses connected with replacing or repairing parts are not covered under this Limited Warranty.

C. PARTS MANUFACTURED BY OTHERS

This Limited Warranty does not cover any parts manufactured by others. Such parts are subject to the warranty, if any, of their respective manufacturers, and are to be repaired only by a respective authorized service person for such parts. The Manufacturer shall have no obligation to undertake repairs of parts manufactured by others.

D. NO SPECIAL, INCIDENTAL, OR CONSEQUENTIAL DAMAGES

IN NO EVENT SHALL THE MANUFACTURER BE LIABLE TO THE BUYER OR ANY OTHER PERSON FOR ANY INDIRECT, SPECIAL, INCIDENTAL OR CONSEQUENTIAL LOSSES OR DAMAGES CONNECTED WITH THE USE OF THE PRODUCT UNDER THIS LIMITED WARRANTY. SUCH DAMAGES FOR WHICH THE MANUFACTURER SHALL NOT BE RESPONSIBLE INCLUDE, BUT ARE NOT LIMITED TO, LOST TIME AND CONVENIENCE, LOSS OF USE OF THE PRODUCT, THE COST OF A PRODUCT RENTAL, COSTS OF GASOLINE, TELEPHONE, TRAVEL, OR LODGING, THE LOSS OF PERSONAL OR COMMERCIAL PROPERTY, AND THE LOSS OF REVENUE.

E. NO LIABILITY IN EXCESS OF PURCHASE PRICE

IN NO EVENT SHALL THE MANUFACTURER’S OBLIGATIONS UNDER THIS LIMITED WARRANTY EXCEED THE PURCHASE PRICE OF THE PRODUCT.

F. NO EXTENSION OF STATUTE OF LIMITATIONS

ANY REPAIRS PERFORMED UNDER THIS WARRANTY SHALL NOT IN ANY WAY EXTEND THE STATUTES OF LIMITATIONS FOR CLAIMS UNDER THIS LIMITED WARRANTY.

G. WAIVER OF OTHER WARRANTIES

THE EXPRESS WARRANTIES SET FORTH IN THIS LIMITED WARRANTY ARE IN LIEU OF AND EXCLUDE ANY AND ALL OTHER WARRANTIES, EXPRESS OR IMPLIED, INCLUDING, BUT NOT LIMITED TO, THE IMPLIED WARRANTIES OR MERCHANTABILITY AND FITNESS FOR A PARTICULAR PURPOSE.

H. PROCEDURE FOR WARRANTY PERFORMANCE

If the product fails to perform to the Manufacturer’s specifications, the Buyer must provide the Manufacturer with the applicable model and serial numbers, the date of purchase, and the nature of the problem.

I. ADDITIONAL EXCLUSIONS FROM THIS LIMITED WARRANTY. THIS LIMITED WARRANTY DOES NOT COVER ANY OF THE FOLLOWING:

1. Equipment which has been abused, damaged, used beyond rated capacity, or repaired by persons other than authorized service personnel.
2. Damage caused by acts of God which include, but are not limited to, hailstorms, windstorms, tornadoes, sandstorms, lightning, floods, and earthquakes.
3. Damage under conditions caused by fire or accident, by abuse or by negligence of the user or any other person other than the Manufacturer, by improper installation, by misuse, by incorrect operation, by "normal wear and tear", by improper adjustment or alteration, by alterations not completed by authorized service personnel, or by failure of product parts from such alterations.
4. Costs of repairing damage caused by poor or improper maintenance, costs of normally scheduled maintenance, or the cost of replacing any parts unless done as the result of an authorized repair covered by the one (1) year Limited Warranty.
5. Costs of modifying the product in any way once delivered to the Buyer, even if such modifications were added as a production change on other products made after the Buyer's product was built.

J. NO AUTHORITY TO ALTER THIS LIMITED WARRANTY

No agent, representative, or distributor of the Manufacturer has any authority to alter the terms of this Limited Warranty in any way.